

1.4 Megapixels Vandal proof Dome Network Camera



(1)



(2)

Features

- 1/3" 1.4 Megapixels super low light Progressive Scan Sony CMOS
- H.264 & MJPEG dual-stream encoding
- Max 25/30fps@1.4Megapixels (1280x1024, 1280x720)
- Digital WDR (>100db), 2D, 3D noise reduction, AWB, AGC, BLC
- Multiple network monitoring: Web viewer, CMS, Smart phone.
- Support IR-CUT; To switch Day/Night by video detection or time or IR detection.
- Varifocal Lens 2.8-12mm and Fixed lens 2.6mm(not for IR), 4mm, 6mm and 8mm are optional
- 3-Axis Rotation
- Max. IR LEDs Length 5-10m
- POE optional
- IP66
- Support image rotation 90° or 270°
- Support defogging
- Micro SD Card Slot (max 64GB),
- BNC Video Output (for installation)

Specification

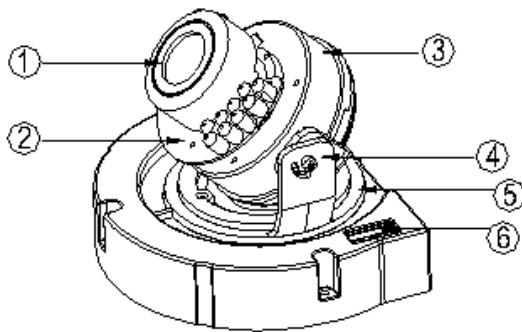
Model	IP66	IR	POE	LENS(2.6mm,4mm,6mm,8mm or 2.8-12mm)
NR-8073-IPC14	No	No	No	Fixed Lens included, 2.8-12mm optional
NR-8073-IPC14-IR	No	Yes	No	Fixed Lens included, 2.8-12mm optional
NR-8073-IPC14-POE	No	No	Yes	Fixed Lens included, 2.8-12mm optional
NR-8073-IPC14-POE-IR	No	Yes	Yes	Fixed Lens included, 2.8-12mm optional
NR-8073-IPC14-P	Yes	No	No	Fixed Lens included, 2.8-12mm optional
NR-8073-IPC14-P-IR	Yes	Yes	No	Fixed Lens included, 2.8-12mm optional
NR-8073-IPC14-P-POE	Yes	No	Yes	Fixed Lens included, 2.8-12mm optional
NR-8073-IPC14-P-POE-IR	Yes	Yes	Yes	Fixed Lens included, 2.8-12mm optional
Camera				
Image Sensor	1/3" 1.4 megapixels Progressive Scan Sony CMOS			
Effective Pixels	1280x1024			
Scanning System	Progressive			
Electronics Shutter Speed	Auto (1/25,1/30 ~ 1/10000s)			
Min. Illumination	0.01Lux/F1.2 (Color), 0.001Lux/F1.2(B/W); 0Lux/F1.2 (IR on)			
S/N Ratio	>50dB			
Camera Features				
Max. IR LEDs Length	5-10m			
Day/Night	Auto (ICR) / Color / B/W			
Backlight Compensation	BLC / HLC / WDR (digital)			
White Balance	Auto			
Gain Control	Auto			
Noise Reduction	2D, 3D			
Privacy Masking	Up to 4 Areas			
Lens				
Focal Length	2.6mm(not for IR), 4mm, 6mm, 8mm or 2.8-12mm optional			
Max Aperture	F1.4			
Focus Control	Manual			
Angle of View	97°~ 27°			
Lens Type	Fixed Iris (fixed lens)			
Mount Type	Board-in Type			
Video				
Compression	H.264 Main Profile, Baseline / MJPEG			
Resolution	1280x1024, 1280x720 ; 720x576, 640x480, 320x240			
Frame Rate	Preferred Stream	1280x1024 (1~25/30fps), 1280x720 (1~25/30fps)		
	Alternate Stream	720x576, 640x480, 320x240 (1~25/30fps)		
Bit Rate	32KB ~16Mbps, support VBR, CBR			
Audio				
Compression	G.711a / G.711U, G.726			
Interface	1 channel Input, 1 channel Output			
Network				
Ethernet	RJ-45 (10/100Base-T)			
Protocol	IPv4/IPv6, HTTP, TCP/IP, UDP, RTP, RTCP, UPNP, RTSP, SMTP, NTP, DHCP, DNS, PPPOE, DDNS, FTP,			

Model: NR-8073-IPC14

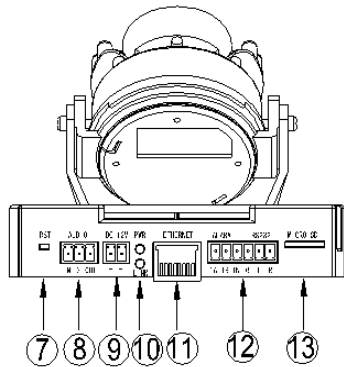
ONVIF	ONVIF Ver. 2.0
Max. User Access	10 users
Smart Phone	iPhone, iPad, Android, Symbian
Auxiliary Interface	
Memory Slot	Micro SD, Max 64GB
Alarm	1channel Input, 1 channel Output
General	
Power Supply	DC12V, POE (802.3af)
Power Consumption	≤ 5W
Working Environment	-20 °C~ 60°C
Dimensions	Φ150.7mm ×109mm
Weight	1.2KG

Dimensions (mm)

Interfaces :



- ① LENS
- ② IR BOARD
- ③ Three axis adjustable
- ④ Tilt adjustable
- ⑤ Pan adjustable
- ⑥ VIDEO OUT

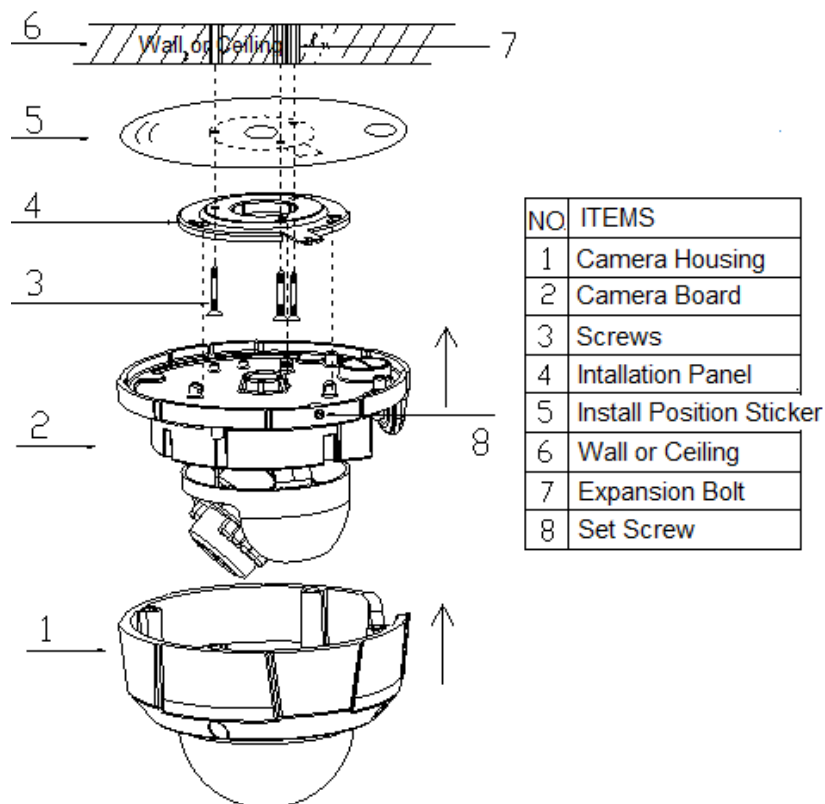


- ⑦ RESET
- ⑧ AUDIO IN /OUT
- ⑨ DC 12V IN
- ⑩ POWER/LINK LED
- ⑪ RJ45
- ⑫ I/O INTERFACE
- ⑬ MICRO SD

I/O interface definition:

1	1A: ALARM Output	4	G: ALARM Input GND
2	1B: ALARM Output	5	T-: RS485 control output +
3	IN: ALARM Input	6	T+: RS485 control output -

Installation:



NO	ITEMS
1	Camera Housing
2	Camera Board
3	Screws
4	Intallation Panel
5	Install Position Sticker
6	Wall or Ceiling
7	Expansion Bolt
8	Set Screw