

Model: NR-8078-IPC21F Series

1080P 2.1Megapixels Indoor Fixed Dome Network Camera



Features

- 1/2.8" 2.1Megapixels Progressive Scan Sony CMOS
- H.264 & MJPEG dual-stream encoding
- Max 25/30fps@1080P (1920x1080)
- WDR, Day/Night (ICR), AWB, AGC, BLC
- Multiple network monitoring: Web viewer, CMS, Smart phone.
- Varifocal Lens 2.8-12mm and Fixed lens 2.6mm(not for IR), 4mm, 6mm and 8mm are optional
- 3-Axis Rotation
- Max. IR LEDs Length 5-10m
- POE optional
- Audio optional
- Micro SD Card Slot (max 32GB),
- BNC Video Output (for installation)

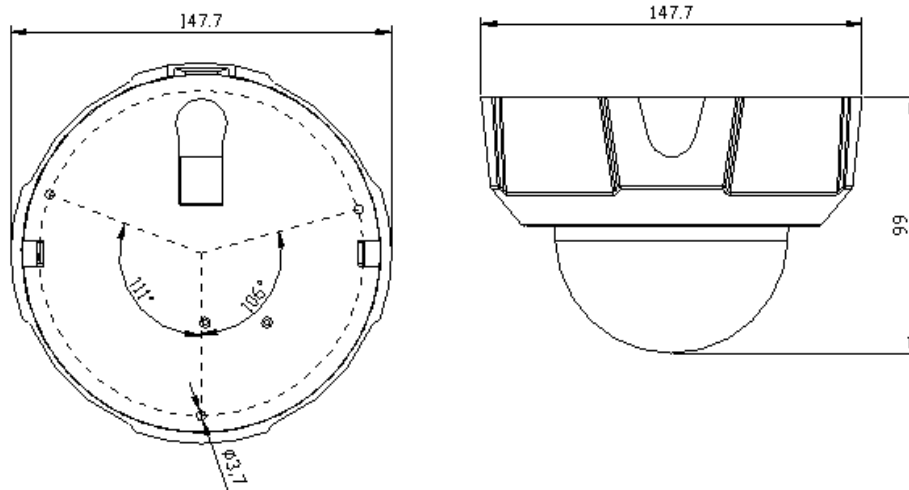
Specification

Model	IR	POE	AUD IO	LENS (2.6mm, 4mm, 6mm, 8mm or 2.8-12mm)
NR-8078-IPC21F	No	No	No	Fixed Lens included, 2.8-12mm optional
NR-8078-IPC21F-IR	Yes	No	No	Fixed Lens included, 2.8-12mm optional
NR-8078-IPC21F-POE	No	Yes	No	Fixed Lens included, 2.8-12mm optional
NR-8078-IPC21F-POE-IR	Yes	Yes	No	Fixed Lens included, 2.8-12mm optional
NR-8078-IPC21F-A-POE-IR	Yes	Yes	Yes	Fixed Lens included, 2.8-12mm optional
Camera				
Image Sensor	1/2.8" 2.1megapixels Progressive Scan Sony CMOS			
CPU	Hi3516			
Effective Pixels	1920x1080			
Scanning System	Progressive			
Electronics Shutter Speed	Auto (1/25,1/30 ~ 1/10000s)			
Min. Illumination	0.05Lux/F1.2 (Color), 0.005Lux/F1.2(B/W); 0Lux/F1.2 (IR on)			
S/N Ratio	>50dB			
Camera Features				
Max. IR LEDs Length	5-10m			
Day/Night	Auto (ICR) / Color / B/W			
Backlight Compensation	BLC / HLC / WDR (digital)			
White Balance	Auto			
Gain Control	Auto			
Noise Reduction	2D, 3D			
Privacy Masking	Up to 4 Areas			
Lens				
Focal Length	2.6mm(not for IR), 4mm, 6mm, 8mm or 2.8-12mm optional			
Max Aperture	F1.4			
Focus Control	Manual			
Angle of View	97°~ 27°			
Lens Type	Fixed Iris (fixed lens)			
Mount Type	Board-in Type			
Video				
Compression	H.264 High Profile, Main Profile, Baseline / MJPEG			
Resolution	1920x1080, 1280x720 ; 640x320, 320x160, 160x112			
Frame Rate	Preferred Stream	1920x1080(1~25/30fps),1280x720 (1~25/30fps)		
	Alternate Stream	640x320, 320x160, 160x112 (1~25/30fps)		
Bit Rate	32KB ~16Mbps, support VBR, CBR			
Audio				
Compression	G.711a / G.711U, G.726			
Interface	1 channel Input, 1 channel Output			
Network				
Ethernet	RJ-45 (10/100Base-T)			
Protocol	IPv4/IPv6, HTTP, TCP/IP, UDP, RTP, RTCP, UPNP, RTSP, SMTP, NTP, DHCP, DNS, PPPOE, DDNS, FTP,			

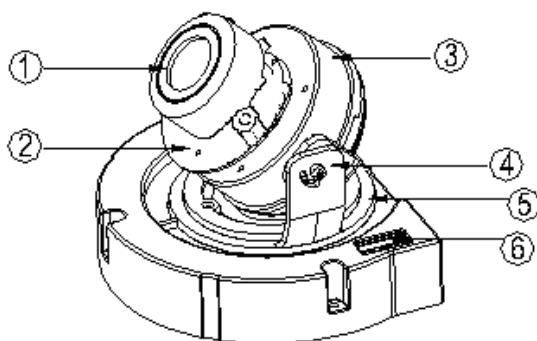
Model: NR-8078-IPC21F Series

ONVIF	ONVIF Ver. 2.0
Max. User Access	10 users
Smart Phone	iPhone, iPad, Android, Symbian
Auxiliary Interface	
Memory Slot	Micro SD, Max 32GB
Alarm	1channel Input, 1 channel Output
General	
Power Supply	DC12V, POE (802.3af)
Power Consumption	≤5W
Working Environment	-20 °C ~ 60°C
Dimensions	Φ147.7mm ×99mm
Weight	0.5KG

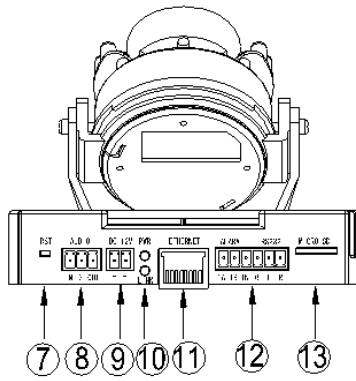
Dimensions (mm)



Interfaces :



- ① LENS
- ② IR BOARD
- ③ Three axis adjustable
- ④ Tilt adjustable
- ⑤ Pan adjustable
- ⑥ VIDEO OUT

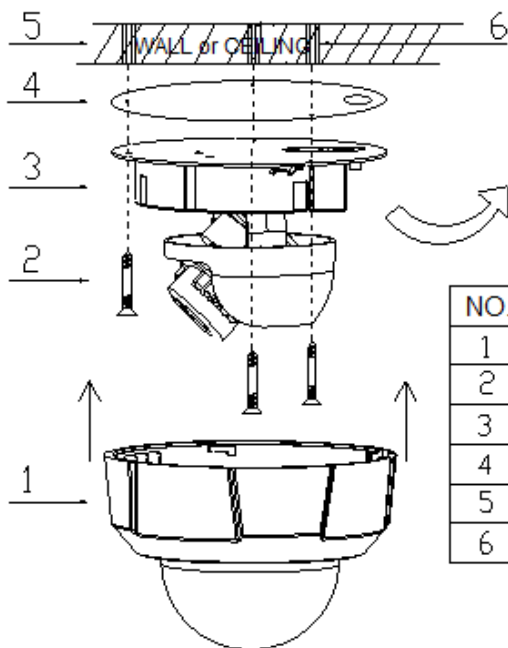


- ⑦ RESET
- ⑧ AUDIO IN /OUT
- ⑨ DC 12V IN
- ⑩ POWER/LINK LED
- ⑪ RJ45
- ⑫ I/O INTERFACE
- ⑬ MICRO SD

I/O interface definition:

1	1A: ALARM Output	4	G: ALARM Input GND
2	1B: ALARM Output	5	T-: RS485 control output +
3	IN: ALARM Input	6	T+: RS485 control output -

Installation:



NO.	ITEMS
1	Camera Housing
2	Screws
3	Camera Board
4	Install Position Sticker
5	Wall or Ceiling
6	Expansion Bolt