

1.4 Megapixels IR Box Network Camera



Features:

- 1/3" 1.4 Megapixels Progressive Scan Sony CMOS.
- H.264 & MJPEG dual-stream encoding.
- Max 25/30fps@1.4 Megapixels (1280x1024, 1280x720).
- Digital WDR (>100db), 2D, 3D noise reduction, AWB, AGC, BLC.
- Multiple network monitoring: Web viewer, CMS, Smart phone.
- To switch Day/Night by video detection, IR detection and time.
- Micro SD Card Slot (max 64GB).
- Two big LED lights, IR distance about 30 meters.
- IP66.
- POE optional.
- Support defogging.
- Support image rotation 90° or 270°.
- Support ONVIF 2.4 above.
- Varifocal Lens 2.8-12, adjustable outside easily.



Model: NR-8067-IPC14 Series

Specification

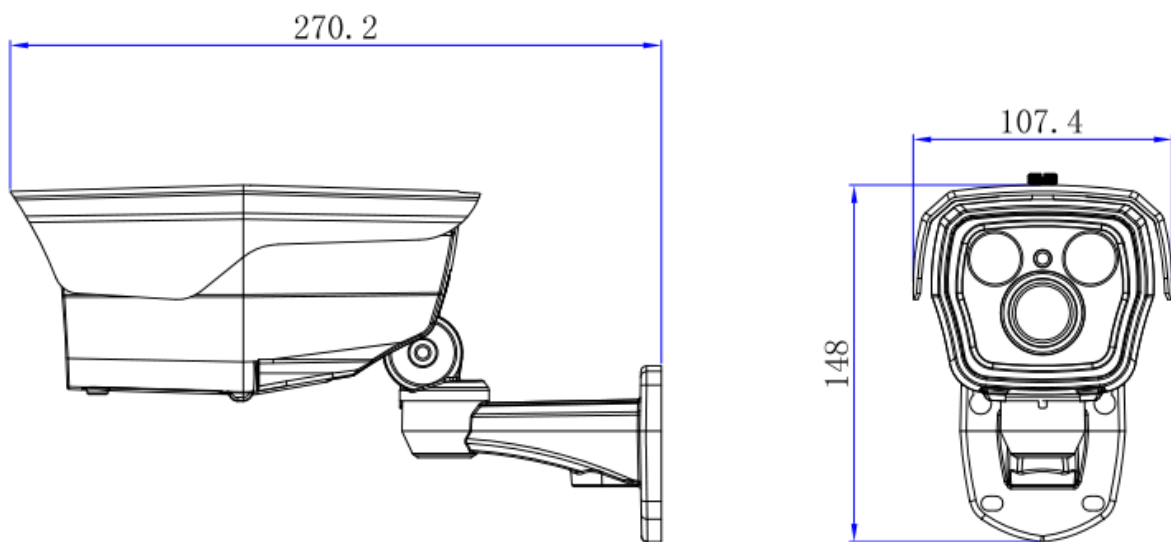
Ordering Model:	IR	Auido	IP66	POE	LENS (2.8-12mm)
NR-8067-IPC14	Yes	No	Yes	No	2.8-12mm Lens included
NR-8067-IPC14-POE	Yes	No	Yes	Yes	2.8-12mm Lens included
NR-8067-IPC14-AA	Yes	Yes	Yes	No	2.8-12mm Lens included
NR-8067-IPC14-AA-POE	Yes	Yes	Yes	Yes	2.8-12mm Lens included
Camera					
Image Sensor	1/3" 1.4 megapixels Progressive Scan Sony CMOS				
Effective Pixels	1280x1024				
Scanning System	Progressive				
Electronics Shutter Speed	Auto (1/25,1/30 ~ 1/10000s)				
Min. Illumination	0.01Lux/F1.2 (Color), 0.001Lux/F1.2(B/W); 0Lux/F1.2 (IR on)				
S/N Ratio	>50dB				
Camera Features					
Max. IR LEDs Length	20-30 m				
Day/Night Switch	Auto Color to B/W				
Backlight Compensation	BLC / HLC / WDR (digital)				
White Balance	Auto				
Gain Control	Auto				
Noise Reduction	2D, 3D				
Privacy Masking	Up to 4 Areas				
Lens					
Focal Length	2.8-12mm vari-focal lens				
Max Aperture	F1.4				
Focus Control	Manual				
Angle of View	92°~ 20°				
Lens Type	Manual Iris				
Mount Type	Board-in Type				
Video					
Compression	H.264 Main Profile, Baseline / MJPEG				
Resolution	1280x1024, 1280x720 ; 720x576,640x480,320x240				
Frame Rate	Preferred Stream	1280x1024 (1~25/30fps) 1280x720 (1~25/30fps)			
	Alternate Stream	720x576,640x480,320x240 (1~25/30fps)			
Bit Rate	32KB ~16Mbps, support VBR, CBR				
Audio					
Compression	G.711a / G.711U, G.726				
Interface	1 channel Input, 1 channel Output				
Network					
Ethernet	RJ-45 (10/100Base-T)				
Protocol	IPv4, HTTP, TCP/IP, UDP, RTP, RTCP, UPNP, RTSP, SMTP, NTP, DHCP, DNS, PPPOE, DDNS, FTP,				
ONVIF	ONVIF Ver. 2.4				



Model: NR-8067-IPC14 Series

Max. User Access	10 users
Smart Phone	iPhone, iPad, Android, Symbian
Auxiliary Interface	
Memory Slot	Micro SD, Max 64GB
General	
Power Supply	DC12V, POE (802.3af) model with POE
Power Consumption	≤6W
Working Environment	-20 °C ~ 60°C
Ingress Protection	IP66,
Dimensions	270.2mm×107.4mm ×148mm
Weight	1.2KG

Dimensions (mm)



Interfaces :

