



Model: NR-8063-IPC10 Series

1.0 Megapixels IR Box Network Camera



Features:

- 1/4" 1.0 Megapixels Progressive Scan OV CMOS.
- H.264 & MJPEG dual-stream encoding.
- Max 25/30fps@1.0 Megapixels (1280x720).
- Digital WDR (>100db), 2D, 3D noise reduction, AWB, AGC, BLC.
- Multiple network monitoring: Web viewer, CMS, Smart phone.
- To switch Day/Night by video detection, ir detection and time.
- Micro SD Card Slot (max 64GB).
- Four big LED lights, IR distance about 50 meters.
- IP66.
- POE optional.
- Support defogging.
- Support image rotation 90° or 270°.
- Support ONVIF2.4.



Model: NR-8063-IPC10 Series

Specification

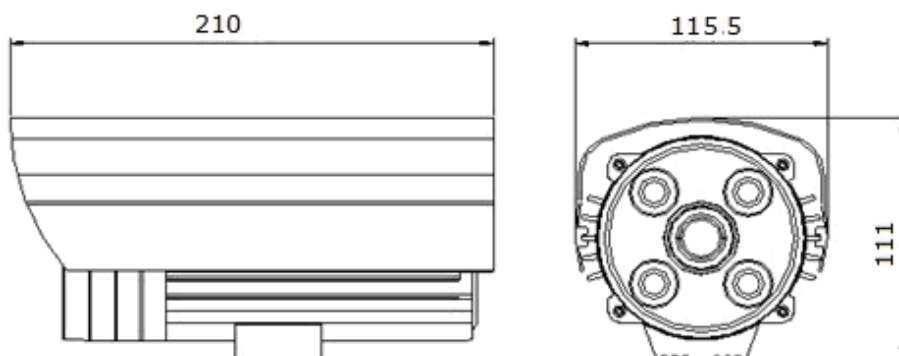
Ordering Model:	IR	A/V	IP66	POE	LENS (4,6,8,12,16mm or 2.8-12mm)
NR-8063-IPC10	Yes	No	Yes	No	Fixed Lens included, 2.8-12mm optional
NR-8063-IPC10-POE	Yes	No	Yes	Yes	Fixed Lens included, 2.8-12mm optional
Camera					
Image Sensor	1/4" 1.0 megapixels Progressive Scan OV CMOS				
Effective Pixels	1280x720				
Scanning System	Progressive				
Electronics Shutter Speed	Auto (1/25,1/30 ~ 1/10000s)				
Min. Illumination	0.1Lux/F1.2 (Color), 0.05Lux/F1.2(B/W); 0Lux/F1.2 (IR on)				
S/N Ratio	>50dB				
Camera Features					
Max. IR LEDs Length	30-50 m				
Day/Night Switch	Auto Color to B/W				
Backlight Compensation	BLC / HLC / WDR (digital)				
White Balance	Auto				
Gain Control	Auto				
Noise Reduction	2D, 3D				
Privacy Masking	Up to 4 Areas				
Lens					
Focal Length	4mm, 6mm, 8mm, 12mm, 16mm, or 2.8-12mm optional				
Max Aperture	F1.4				
Focus Control	Manual				
Angle of View	92°~ 20°				
Lens Type	Manual Iris				
Mount Type	Board-in Type (2.8-12mm) , CS (fixed lens)				
Video					
Compression	H.264 Main Profile, Baseline / MJPEG				
Resolution	1280x720 , 640x480, 320x240, 160x112				
Frame Rate	Preferred Stream	1280x720 (1~25/30fps)			
	Alternate Stream	640x480, 320x240, 160x112 (1~25/30fps)			
Bit Rate	32KB ~16Mbps, support VBR, CBR				
Audio					
Compression	G.711a / G.711U, G.726				
Interface	1 channel Input, 1 channel Output				
Network					
Ethernet	RJ-45 (10/100Base-T)				
Protocol	IPv4, HTTP, TCP/IP, UDP, RTP, RTCP, UPNP, RTSP, SMTP, NTP, DHCP, DNS, PPPOE, DDNS, FTP,				



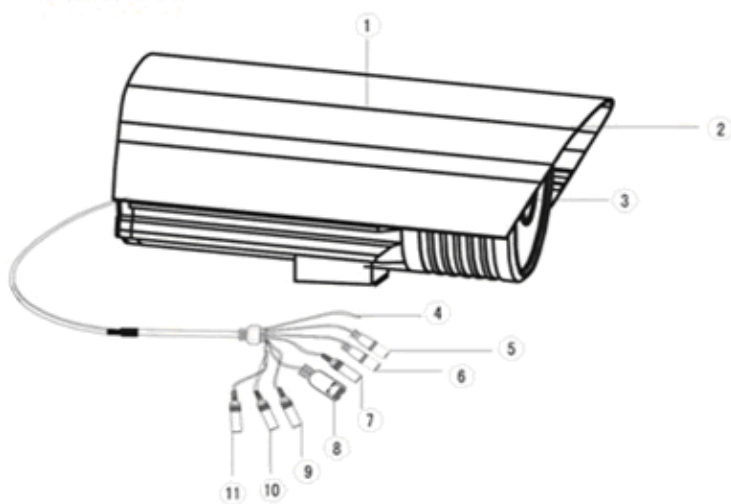
Model: NR-8063-IPC10 Series

ONVIF	ONVIF Ver. 2.4
Max. User Access	10 users
Smart Phone	iPhone, iPad, Android, Symbian
Auxiliary Interface	
Alarm	1channel Input, 1 channel Output
General	
Power Supply	DC12V, POE (802.3af) model with POE
Power Consumption	≤9W
Working Environment	-20 °C ~ 60°C
Ingress Protection	IP66,
Dimensions	210mm ×115.5mm ×111mm
Weight	2.2KG

Dimensions (mm)



Interfaces:



- ① SCREW HOLE*2
- ② SUNSHADE
- ③ FRONT COVER
- ④ RESET
- ⑤ ALARM OUTA+/ALARM OUT
- ⑥ ALARM IN+/GND-
- ⑦ RS485+/RS485-
- ⑧ RJ45
- ⑨ AUDIO IN
- ⑩ AUDIO OUT
- ⑪ DC 12V INPUT