



Model: NR-8061-IPC50 Series

5.0 Megapixels Indoor Box Network Camera



Features

- 1/2.5" 5.0 Megapixels Progressive Scan Aptina CMOS
- H.264 High Profile & MJPEG dual-stream encoding
- Max 12fps@2592x1944, and 20fps@2048x1536, 25/30fps@1080P (1920x1080)
- Digital WDR (>100db), 2D, 3D noise reduction, AWB, AGC, BLC
- Multiple network monitoring: Web viewer, CMS, Smart phone.
- Support Day/Night
- Micro SD Card Slot (max 64GB),
- IR-CUT optional.
- POE optional.
- BNC Video Output optional.
- Support ONVIF 2.4.

Specification

Model	ICR	POE	A/V	Lens
NR-8061-IPC50	No	No	No	No
NR-8061-IPC50-AV	No	No	Yes	No
NR-8061-IPC50-ICR	Yes	No	No	No
NR-8061-IPC50-ICR-AV	Yes	No	Yes	No
NR-8061-IPC50-POE	No	Yes	No	No
NR-8061-IPC50-POE-AV	No	Yes	Yes	No
NR-8061-IPC50-POE-ICR	Yes	Yes	No	No
NR-8061-IPC50-POE-ICR-AV	Yes	Yes	Yes	No
Camera				
Image Sensor	1/2.5" 5.0 megapixels Progressive Scan Aptina CMOS			
Effective Pixels	2592x1944			
Scanning System	Progressive			
Sensitivity	Color: 1 Lux , B/W: 0.1 Lux			
Video Output D1	("-AV" only) 1 Channel BNC (1.0Vp-p,75Ω)			
Camera Features				

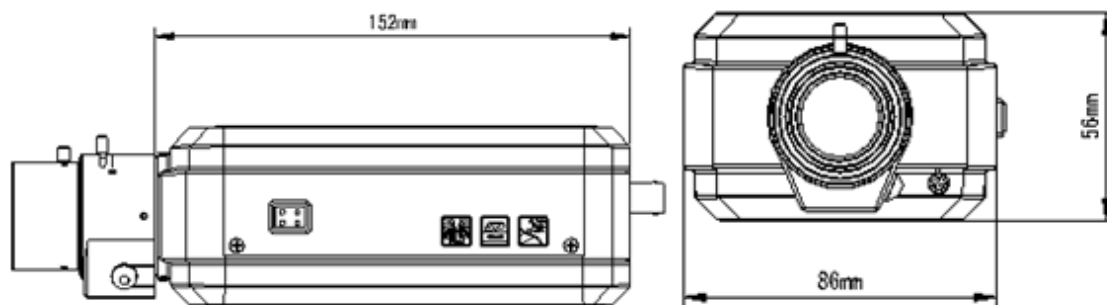


Model: NR-8061-IPC50 Series

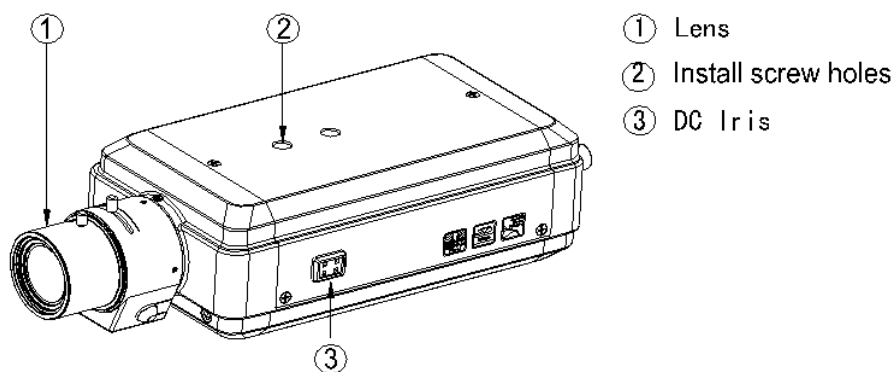
Day/Night	Color / B/W	
Backlight Compensation	BLC / HLC / WDR (digital)	
White Balance	Auto	
Gain Control	Auto	
Noise Reduction	2D, 3D	
Privacy Masking	Up to 4 Areas	
Lens		
Lens Type	C/CS	
Video		
Compression	H.264 High Profile, Main Profile, Baseline / MJPEG	
Resolution	2592x1944, 2048x1536, 1920x1080; 640x352, 320x240	
Frame Rate	Preferred Stream	2592x1944 (1~12fps), 2048x1536 (1~20fps), 1920x1080(1~25/30fps),
	Alternate Stream	640x352, 320x240 (1~25/30fps)
Bit Rate	32KB ~16Mbps, support VBR, CBR	
Audio ("AV" only)		
Compression	G.711a / G.711U, G.726	
Interface	1 channel Input, 1 channel Output	
Network		
Ethernet	RJ-45 (10/100Base-T)	
Protocol	IPv4/IPv6, HTTP, TCP/IP, UDP, RTP, RTCP, UPNP, RTSP, SMTP, NTP, DHCP, DNS, PPPOE, DDNS, FTP,	
ONVIF	ONVIF Ver. 2.4	
Max. User Access	10 users	
Smart Phone	iPhone, iPad, Android, Symbian	
Auxiliary Interface		
Memory Slot	Micro SD, Max 64GB	
Alarm ("AV" only)	1channel Input, 1 channel Output	
General		
Power Supply	DC12V,	
Power Consumption	≤4W	
Working Environment	-20 °C ~ 60°C	
Dimensions	152mm ×86mm ×56mm	
Weight	0.7KG	

Dimensions (mm)

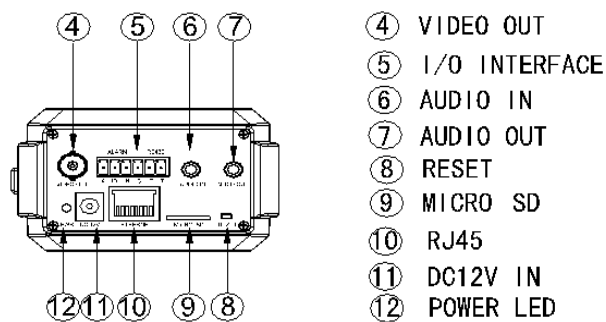
Model: NR-8061-IPC50 Series



Interfaces :



- ① Lens
- ② Install screw holes
- ③ DC Iris



- ④ VIDEO OUT
- ⑤ I/O INTERFACE
- ⑥ AUDIO IN
- ⑦ AUDIO OUT
- ⑧ RESET
- ⑨ MICRO SD
- ⑩ RJ45
- ⑪ DC12V IN
- ⑫ POWER LED

I/O interface definition:

1	1A: ALARM Output	4	G: ALARM Input GND
2	1B: ALARM Output	5	T-: RS485 control output +
3	IN: ALARM Input	6	T+: RS485 control output -