



Model: NR-I8061-IPC21GA 2.1 Megapixels WDR H.265 IP Camera

2.1 Megapixels WDR H.265 Indoor Box Network Camera



Features

- 1/2.8" 2.1Megapixels Progressive Scan CMOS.
- H.265MP, H.264HP/MP/BP & MJPEG three-stream encoding.
- 30fps@1920*1080 (NTSC), 25fps@1920*1080 (PAL).
- Digital WDR ($\geq 120\text{db}$), 2D, 3D noise reduction, AWB, AGC, BLC.
- Multiple network monitoring: Web viewer, CMS, Smart phone.
- Built-in IR-cut to support Day/Night.
- Built-in POE.
- With Audio in/out and BNC output and RS485.
- Through-fog function.
- Electronic anti-shake function
- Micro SD Card Slot (max 64GB).
- ONVIF2.4

Specification

Model	ICR	POE	A/V	Lens
NR-8061-IPC21GA-POE-ICR-AV	Yes	Yes	Yes	No
Camera				
Image Sensor	1/2.8"2.1Megapixels Progressive Scan CMOS			
CPU	HI3516A			
Effective Pixels	1920x1080			
Scanning System	Progressive			
Sensitivity	Color: 0.01 Lux@F1.2(ICR) , B/W: 0.001 Lux@F1.2(ICR)			
Camera Features				
Day/Night	Color & B/W			
Backlight Compensation	BLC / HLC / WDR (digital)			
White Balance	Auto			
Gain Control	Auto			

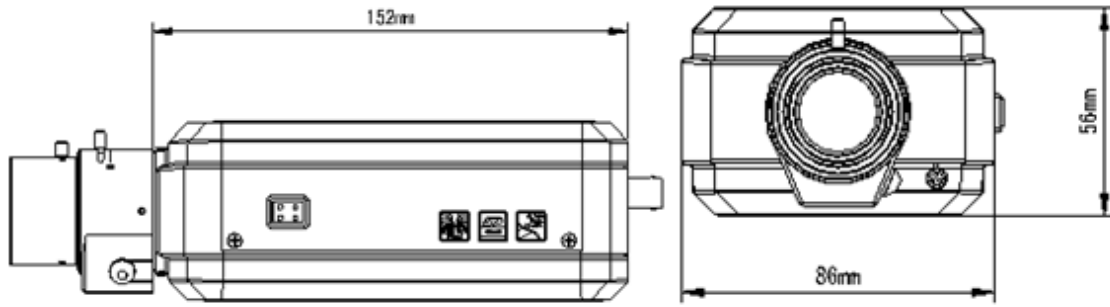
**Model: NR-I8061-IPC21GA 2.1 Megapixels WDR H.265 IP Camera**

WDR	≥120db	
Noise Reduction	2D, 3D	
Privacy Masking	Up to 4 Areas	
Lens		
Lens Type	C/CS	
Video		
Compression	H.265MP, H.264 HP/MP/BP & MJPEG	
Resolution	1920×1080,1280×960,1280×720; 960×528, 640×480, 320×240	
Frame Rate	Preferred Stream	25fps for PAL, 30fps for NTSC (1920×1080, 1280×960,1280×720)
	Alternate Stream	960×528, 640×480, 320×240 (1~25/30fps)
Bit Rate	32KB ~40Mbps, support VBR, CBR	
Audio		
Compression	G.711a / G.711U, G.726	
Interface	1 channel Input, 1 channel Output	
Network		
Ethernet	RJ-45 (10/100/1000 Mb)	
Protocol	IPv4/IPv6, HTTP, TCP/IP, UDP, RTP, RTCP, UPNP, RTSP, SMTP, NTP, DHCP, DNS, PPPOE, DDNS, FTP,	
ONVIF	ONVIF Ver. 2.4	
Smart Phone	iPhone, iPad, Android, Symbian	
Auxiliary Interface		
Memory Slot	Micro SD, Max 64GB	
Alarm	1channel Input, 1 channel Output	
RS485	1 channel	
General		
Power Supply	DC12V /POE	
Power Consumption	≤5W	
Working Environment	-30 °C ~ 60°C	
Dimensions	152mm ×86mm ×56mm	
Weight	0.7KG	

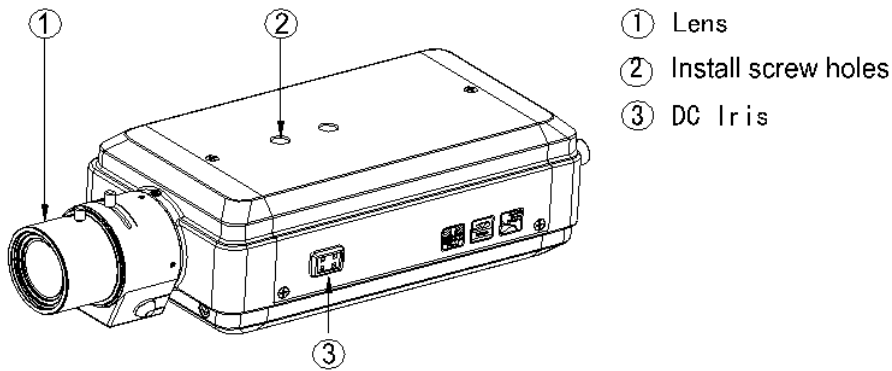
Dimensions (mm)



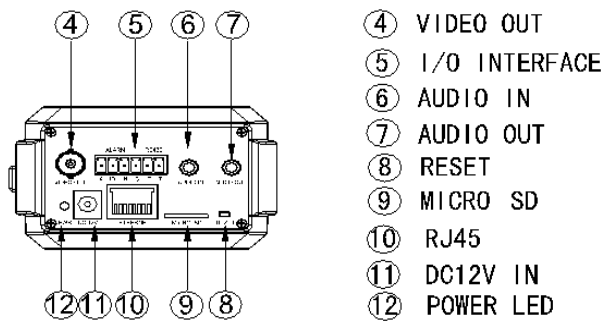
Model: NR-I8061-IPC21GA 2.1 Megapixels WDR H.265 IP Camera



Interfaces :



- ① Lens
- ② Install screw holes
- ③ DC Iris



- ④ VIDEO OUT
- ⑤ I/O INTERFACE
- ⑥ AUDIO IN
- ⑦ AUDIO OUT
- ⑧ RESET
- ⑨ MICRO SD
- ⑩ RJ45
- ⑪ DC12V IN
- ⑫ POWER LED

I/O interface definition:

1	1A: ALARM Output	4	G: ALARM Input GND
2	1B: ALARM Output	5	T-: RS485 control output +
3	IN: ALARM Input	6	T+: RS485 control output -