



Model: NR-8079-IPC14 Series

1.4 Megapixels Vandal proof IR Mini Dome Network Camera



Features:

- 1/3" 1.4 Megapixels Progressive Scan Sony CMOS.
- H.264 & MJPEG dual-stream encoding.
- Max 25/30fps@1.4 Megapixels (1280x1024, 1280x720).
- Digital WDR (>100db), 2D, 3D noise reduction, AWB, AGC, BLC.
- Multiple network monitoring: Web viewer, CMS, Smart phone.
- To Switch Day/Night by video detection and time.
- IR distance 5-8M
- Micro SD Card Slot (max 64GB).
- Audio in/out, Alarm in/out and POE optional.
- Support BNC Video Output.
- Support defogging.
- Support image rotation 90° or 270°.
- Fixed lens 2.8mm, 3.6mm are optional.
- Manual Pan rotation 90°, Manual Tilt rotation 90°.
- Support ONVIF2.4.

Specification

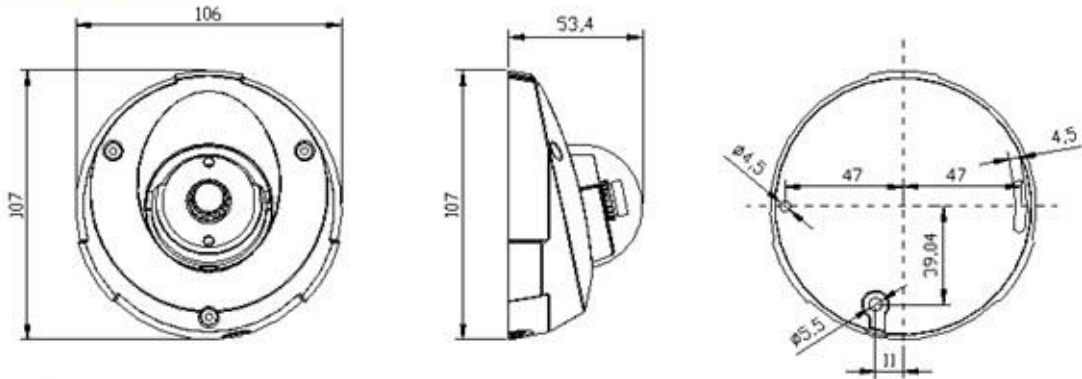
Ordering Model:	IP66	POE	Audio	Alarm	LENS(2.8/3.6mm optional)
NR-8079-IPC14-POE	Yes	Yes	No	No	Fixed Lens included,
NR-8079-IPC14-POE-AA	Yes	Yes	Yes	No	Fixed Lens included,
NR-8079-IPC14-POE- AM	Yes	Yes	Yes	Yes	Fixed Lens included,
Camera					
Image Sensor	1/3" 1.4 megapixels Progressive Scan Sony CMOS				
Effective Pixels	1280x1024				
Scanning System	Progressive				
Electronics Shutter Speed	Auto (1/25,1/30 ~ 1/10000s)				
Min. Illumination	0.01Lux/F1.2 (Color), 0.001Lux/F1.2(B/W);				
S/N Ratio	>50dB				



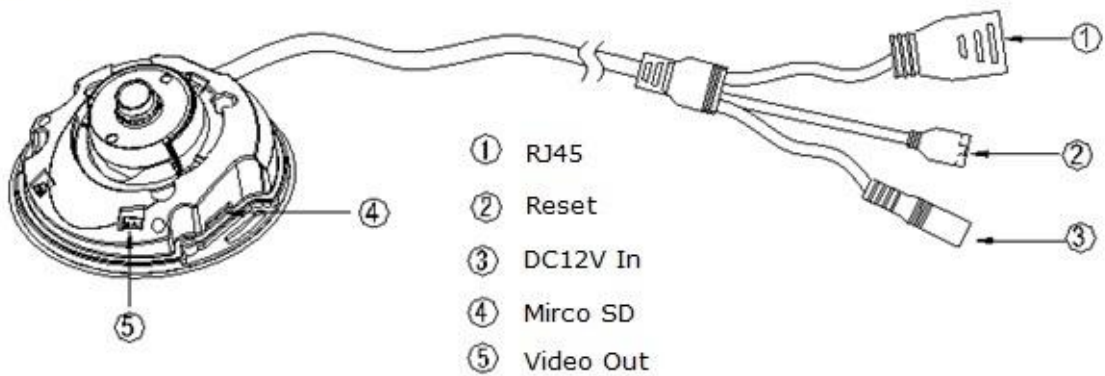
Model: NR-8079-IPC14 Series

Camera Features		
Max. IR LEDs distance	5-8M	
Day/Night Switch	Auto Color to B/W	
Backlight Compensation	BLC / HLC / WDR (digital)	
White Balance	Auto	
Gain Control	Auto	
Noise Reduction	2D, 3D	
Privacy Masking	Up to 4 Areas	
Lens		
Focal Length	2.8mm, 3.6mm optional	
Max Aperture	F1.4	
Focus Control	Manual	
Angle of View	97°~ 67°	
Lens Type	Fixed Iris	
Mount Type	Board-in Type	
Video		
Compression	H.264 Main Profile, Baseline / MJPEG	
Resolution	1280x1024, 1280x720 ; 720x576,640x480,320x240	
Frame Rate	Preferred Stream	1280x1024 (1~25/30fps), 1280x720 (1~25/30fps)
	Alternate Stream	720x576,640x480,320x240 (1~25/30fps)
Bit Rate	32KB ~16Mbps, support VBR, CBR	
Audio		
Compression	G.711a / G.711U, G.726	
Interface	1 channel Input, 1 channel Output	
Network		
Ethernet	RJ-45 (10/100Base-T)	
Protocol	IPv4/IPv6, HTTP, TCP/IP, UDP, RTP, RTCP, UPNP, RTSP, SMTP, NTP, DHCP, DNS, PPPOE, DDNS, FTP,	
ONVIF	ONVIF Ver. 2.4	
Max. User Access	10 users	
Smart Phone	iPhone, iPad, Android, Symbian	
Auxiliary Interface		
Memory Slot	Micro SD, Max 64GB	
Alarm	1channel Input, 1 channel Output	
General		
Power Supply	DC12V, POE (802.3af)	
Power Consumption	≤4W	
Working Environment	-20 °C ~ 60°C	
Dimensions	Φ107mm ×53.4mm	
Weight	0.5KG	

Dimensions (mm)



Interfaces:



Installation:

