



Model: NR-8073-IPC50 Series

## 5.0 Megapixels Vandal proof Dome Network Camera



(1)



(2)

### Features

- 1/2.5" 5.0 Megapixels Progressive Scan Aptina CMOS
- H.264 High Profile & MJPEG dual-stream encoding
- Max 12fps@2592x1944, and 20fps@2048x1536, 25/30fps@1080P (1920x1080)
- Digital WDR (>100db), 2D, 3D noise reduction, AWB, AGC, BLC
- Multiple network monitoring: Web viewer, CMS, Smart phone.
- Fixed lens 6mm, 8mm or 12mm are optional
- 3-Axis Rotation
- IP66
- Max. IR LEDs Length 5-10m
- POE optional
- Micro SD Card Slot (max 64GB),
- BNC Video Output (for installation)



Model: NR-8073-IPC50 Series

## Specification

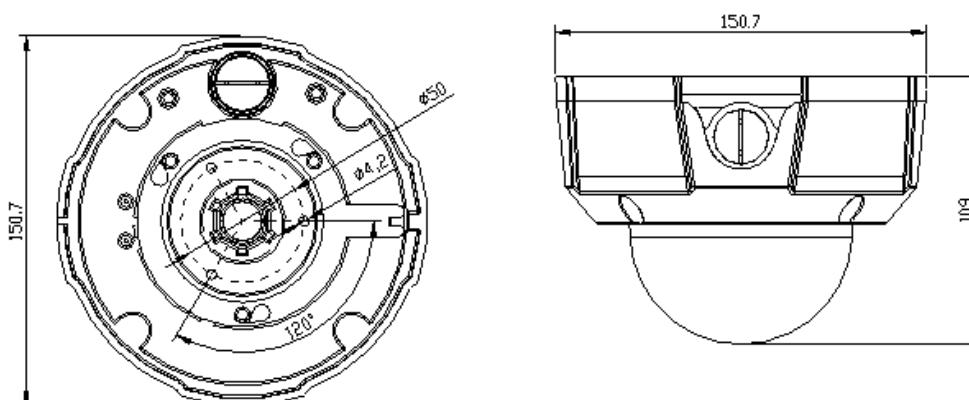
Model	IP66	IR	POE	LENS(4mm,6mm,8mm or 12mm)
<b>NR-8073-IPC50</b>	No	No	No	Fixed Lens included,
<b>NR-8073-IPC50-IR</b>	No	Yes	No	Fixed Lens included,
<b>NR-8073-IPC50-POE</b>	No	No	Yes	Fixed Lens included,
<b>NR-8073-IPC50-POE-IR</b>	No	Yes	Yes	Fixed Lens included,
<b>NR-8073-IPC50-P</b>	Yes	No	No	Fixed Lens included,
<b>NR-8073-IPC50-P-IR</b>	Yes	Yes	No	Fixed Lens included,
<b>NR-8073-IPC50-P-POE</b>	Yes	No	Yes	Fixed Lens included,
<b>NR-8073-IPC50-P-POE-IR</b>	Yes	Yes	Yes	Fixed Lens included,
<b>Camera</b>				
Image Sensor	1/2.5" 5.0 megapixels Progressive Scan Aptina CMOS			
CPU	Hi3516			
Effective Pixels	2592x1944			
Scanning System	Progressive			
Electronics Shutter Speed	Auto (1/25,1/30 ~ 1/10000s)			
Min. Illumination	1Lux/F1.2 (Color), 0.1Lux/F1.2(B/W); 0Lux/F1.2 (IR on)			
S/N Ratio	>50dB			
<b>Camera Features</b>				
Max. IR LEDs Length	5~10m			
Day/Night	Auto (ICR) / Color / B/W			
Backlight Compensation	BLC / HLC / WDR (digital)			
White Balance	Auto			
Gain Control	Auto			
Noise Reduction	2D, 3D			
Privacy Masking	Up to 4 Areas			
<b>Lens</b>				
Focal Length	6mm, 8mm or 12mm optional			
Max Aperture	F1.4			
Focus Control	Manual			
Angle of View	85°~ 27°			
Lens Type	Fixed Iris (fixed lens)			
Mount Type	Board-in Type			
<b>Video</b>				
Compression	H.264 High Profile, Main Profile, Baseline / MJPEG			
Resolution	1920x1080, 1280x720 ; 960x528, 640x352, 480x256			
Frame Rate	Preferred Stream	2592x1944 (1~12fps), 2048x1536 (1~20fps), 1920x1080(1~25/30fps),		
	Alternate Stream	640x352, 320x240 (1~25/30fps)		
Bit Rate	32KB ~16Mbps, support VBR, CBR			
<b>Audio</b>				
Compression	G.711a / G.711U, G.726			
Interface	1 channel Input, 1 channel Output			



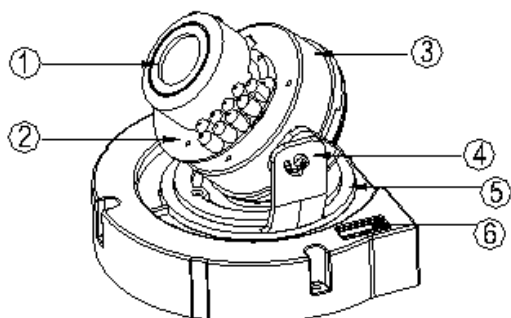
Model: NR-8073-IPC50 Series

<b>Network</b>	
Ethernet	RJ-45 (10/100Base-T)
Protocol	IPv4/IPv6, HTTP, TCP/IP, UDP, RTP, RTCP, UPNP, RTSP, SMTP, NTP, DHCP, DNS, PPPOE, DDNS, FTP,
ONVIF	ONVIF Ver. 2.4
Max. User Access	10 users
Smart Phone	iPhone, iPad, Android, Symbian
<b>Auxiliary Interface</b>	
Memory Slot	Micro SD, Max 64GB
Alarm	1channel Input, 1 channel Output
<b>General</b>	
Power Supply	DC12V, POE (802.3af)
Power Consumption	≤5W
Working Environment	-20 °C ~ 60°C
Dimensions	Φ150.7mm ×109mm
Weight	1.2KG

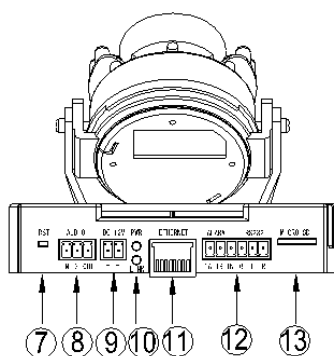
### Dimensions (mm)



### Interfaces :



- ① LENS
- ② IR BOARD
- ③ Three axis adjustable
- ④ Tilt adjustable
- ⑤ Pan adjustable
- ⑥ VIDEO OUT

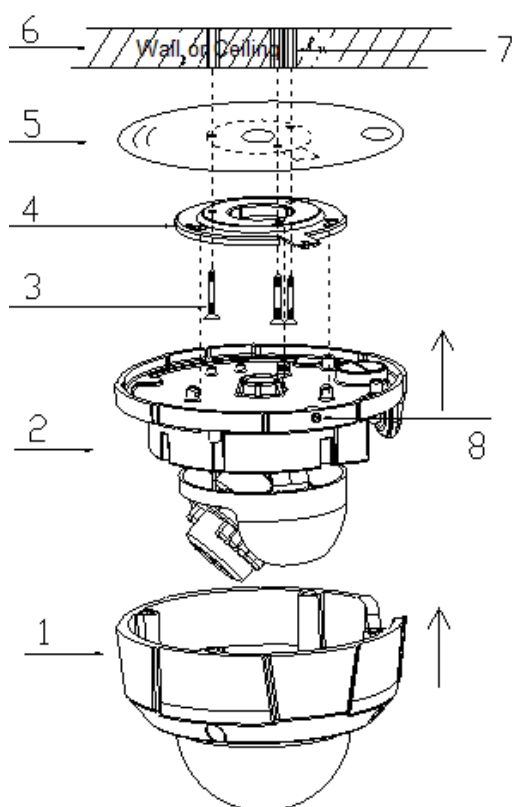


- ⑦ RESET
- ⑧ AUDIO IN /OUT
- ⑨ DC 12V IN
- ⑩ POWER/LINK LED
- ⑪ RJ45
- ⑫ I/O INTERFACE
- ⑬ MICRO SD

I/O interface definition:

1	1A: ALARM Output	4	G: ALARM Input GND
2	1B: ALARM Output	5	T-: RS485 control output +
3	IN: ALARM Input	6	T+: RS485 control output -

### Installation:



NO	ITEMS
1	Camera Housing
2	Camera Board
3	Screws
4	Intallation Panel
5	Install Position Sticker
6	Wall or Ceiling
7	Expansion Bolt
8	Set Screw