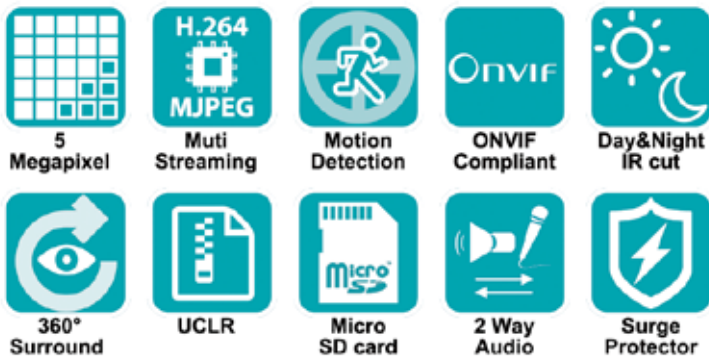
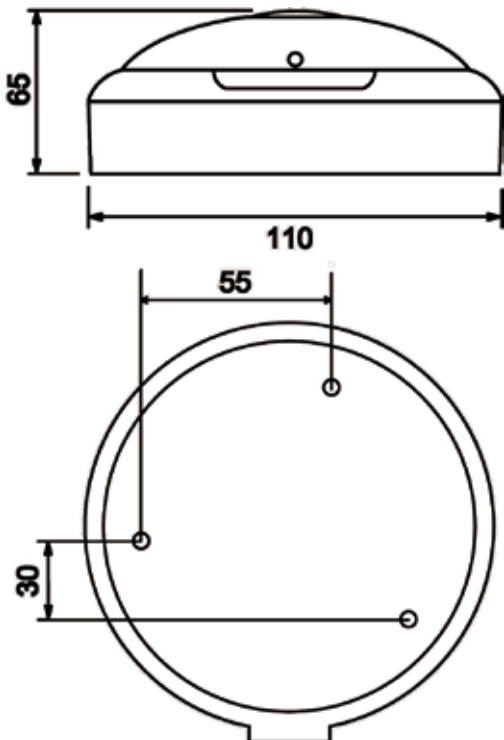


NR-5MIPN Network Camera

NR-FE-5MIPN-F01 is the latest fisheye fixed dome network camera, featuring a detailed 5-Megapixel resolution with superb image quality. Equipped with a fisheye lens for 180° panoramic view (wall mount) or 360° surround view that allows you to monitor all angles of a location using just one camera without blind spots, and also offers various display layouts, including original surround view, panoramic view, and regional view for various mounting applications. With the cutting-edge image processing capabilities, hemispherical images captured from the fisheye camera can be converted into conventional rectilinear projection for viewing and analysis. In addition, the users can utilize the ePTZ function to easily zoom in and focus on a region of interest. The fisheye camera able to provide coverage of wide, open areas, such as bank, airports, office, parking lots, shopping malls, retail stores and more.



5 Megapixel N Series



- *Onvif compliant.
- *Virtual ePTZ for efficiency surveillance.
- *Built-in 802.3af compliant PoE.
- *Vandal-proof IK10-rated housing.
- *Micro SD/SDHC for On-board storage*.
- *5-Megapixel (2048x1536) video resolution.
- *Removable IR-cut filter for Day & Night function.
- *H.264 /MJPEG multiple simultaneous streams.
- *Free bundle 64-Channel NVR and CMS software.
- *180° Panoramic View & 360° Surround View.
- *On-camera motion detection and privacy mask.
- *LED indicator SD card health status*.
- *Auto storage video on SD card when Network failed.
- *ROI (Region of Interest) encoding is used to enhance the quality of images which are specified in advance.
- *Ultra Low Compress Rate(ULCR) technology: LESS storage space, SAME video quality

*Available on Full Function Only.

NR-5MIPN

System

- Platform: TI DM368 SoC CPU; 512MB Flash; 1024MB DDR II RAM and Linux 2.6 Embedded O.S.

Image Device

- 1/2.5" 5 megapixels (2592x 1944 pixels) progressive CMOS sensor.

Audio Setting

- G.711 Ulaw & G.711 Alaw audio encoding and decoding.
- External microphone input and speaker output.
- Support two-way audio.
- 2Vp-p audio in; 30mw audio output with 600Ω impedance.

Network

- Protocol: HTTP, HTTPS, TCP/ IP,IPv4, IPv6, UDP, PPPoE, SMTP, FTP, DHCP, DDNS, NTP, DNS, SNMP, RTSP, RTP/RTCP, Bonjour, IGMP UPnP and 802.1X.
- Interface: 10BASE-T/100 BASE-TX.
- Compatible: Onvif 2.3 compliant

Surge Protector

- Video: Peak Inverse Blocking Voltage: VPIB= 100V; Peak Pulse Current: Ipp=44A; Clamping Voltage: 10V @ Ipp= 5A.
- Power: Maximum Energy: 3.6J @10/1000μs; Clamping Voltage:16.8KA(1 Time)/8.4KA(2 Times) @8/20μs (1 Time); Insulation Resistance: ≥ 10000MΩ.

Security

- Password Protection, Https encryption data transmission, User access log; IP address filtering. Multi-level user access with password protection; 802.1X port-based authentication for network protection.

Management

- Time management: Manual Time Setting; Time Server and NTP support; Real Time Clock.
- Event management: Events triggered by Motion detection or sensor with configured schedule.
- Event notification: Event notification using Alarm output triggered.
- Update: Support Firmware update.

Browser

- Internet Explorer 6.0 above, Google Chrome v30 above with Plug-In.

Video Setting

- Compression: Video: 0.1M ~ 12M bits/sec (CBR/VBR/LBR/ H.264 HP/MP/BP, M-JPEG).
- Resolution: Main Streaming:2596X1920, 2048X1536 1920x1080, 1280x960, 1280x720.
Sub streaming: 320x288, 320x240.
- Frame Rate: 12FPS@5mp; 17FPS@3MP; 30FPS@2MP; 30FPS@1.3MP;Frame rate adjustable.
- Control: Brightness, Contrast, Saturation, Sharpness, Exposure, Motion detection, Mirror, Shutter, Privacy mask, Flickerless, Noise reduction, IRIS, AES, AWB, AGC, BLC, D-WDR (70dB), ROI, Audio gain, Alarm in/out.
- Color: 0.1 Lux 1/F1.2 B/W: 0.3 Lux.
- Overlay: Text / Time Stamp.

I/O Port

- Standard: Reset button, Audio in x1; Audio out x1; DC power in, RJ-45.
- Option: Alarm out; Sensor in x1; Video out.

Lens & IR Illuminators

- Lens: f=1.05mm/ F2.8
- IR Cut: Built in removable IR-cut filter for day & night function.
- IR Illuminators: N/A

Storage

- Micro SD slot for SD/SDHC card storage; Support Pre-recording and Post recording; Network failed start recording on SD card, Backup/Restore to device configuration file, Backup, Upload data to FTP/SMTP sever.

Housing

- Aluminum housing with Waterproof & IK10 Vandal proof criterion.

Dimension / Weight

- Ø 110mm x 65 mm (H) / 0.38kg.

Operation

- Power: DC12V, maximum 4W; 9W when IR LED on.
PoE IEEE 802.3af Class 3.
- Temperature: -20°C ~ 50°C; Humidity 20% ~ 80% RH.

Approvals

- CE, FCC, RoHS, IK10, IP66, EN-50155.