



## NR-9803H-MPS-IR8 Series

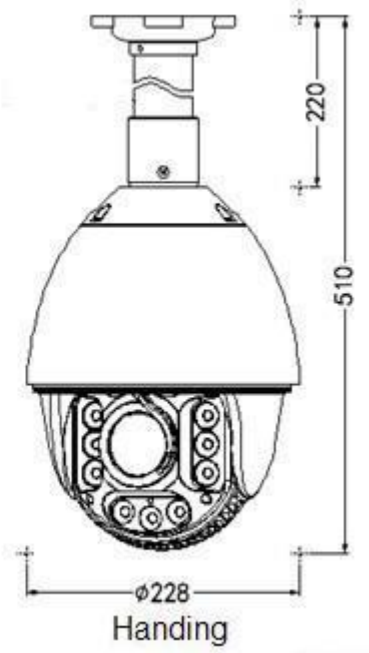
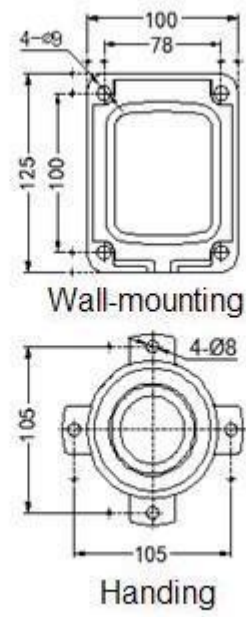
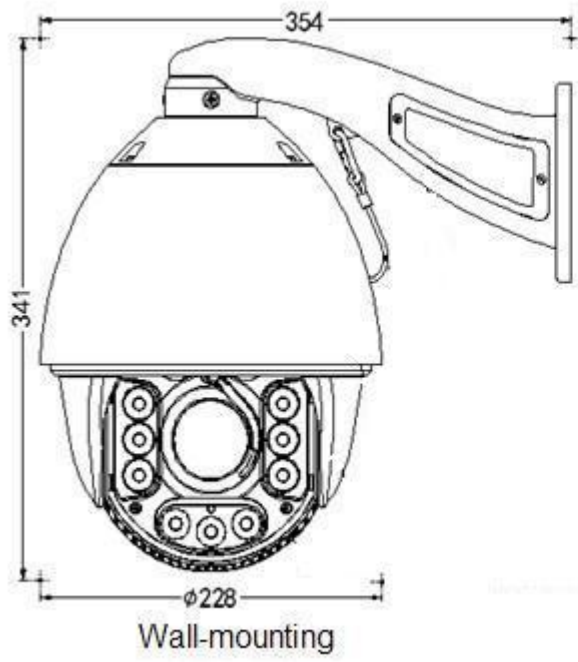
### Key Features

- 9 imported high-power superlattice array of infrared lights, IR distance 180M (MAX)
- Up to 8 privacy masking areas (Requires camera to support)
- Auto tracking function, auto tracking of moving targets within the preset scene
- Infrared auto-dimming technology, Low-carbon environmental protection and energy saving of 50%, the infrared lamp life up to 3x
- Unique cooling technology, Cooling effect is good, high reliability, dustproof and waterproof
- Park, set the ball machine idle for some time, automatically call preset, scan, cruise mode, the path functions
- Support graphical OSD menu ,Chinese and english display
- 256 Preset points
- 8 Patrols, each patrol up to 32 presets
- 4 Patterns, 500 commands (about 30 minute)/pattern
- Auto scanning: 8
- PELCO\_P, PELCO\_D and other control protocols automatic identification
- Horizontal rotation range: 360°, Vertical rotation range :180
- Horizontal speed: 0.01~350°/S; Vertical speed: 0.01~120°/S
- H.264/MJEG is optional, dual streaming, high compression ratio, and high quality.
- Support Micro SDHC storage; SD2.0 standard
- Title, date and time, stream information, azimuth angle, zoom display
- Support: TCP/IP, UDP, RTSP, HTTP, DDNS, FTP, NTP, PPPOE, SMTP Support ONVIF protocol
- Built-in Web server enables the use of a standard Web browser for viewing and management.
- IP66 rating, dust-proof, waterproof
- Lightning protection design, 3000V surge protection
- All Aluminium crust and sphere; Quickly handing installation

Model		NR-9803H-MPS-IR8
Hardware		
Network chip	Lan	Realtek 10/100M BASE-TX Self-adapting
Sensor		1/3" Progressive Scan CCD
Effective Pixels		1280(H)×960(V)
Min.Illumination		Color:0.1Lux@F1.6,B/W :0.005Lux@F1.6,
Lens		12X digital zoom
Focal Length		f=4.7mm(W) ~ 84.6mm(T)
Iris		F1.6 ~F2.8
Horizontal Angle of View		55.2°(W)~3.2°(T)
Day/night		Auto swith (dual IR-Cut filter)
Parameters adjustment		AWB,AGC,BLC
S/N		≥50db(AGC OFF,Weight On)
Auto Electronic Shutter		1/25—1/10000sec,Slow shutter:1/2,1/ ,1/8,1/12sec
Infrared		180m (MAX)
Interfaces		
Audio Talkback		1 channel MIC input, 3.5 mm connector
Audio Output		1 channel output, 3.5 mm connector
Network Interface	Lan	<10/100M BASE-TX,RJ-45 connector
Alarm(Optional)		Input: 7; Output: 2
Audio video encoding		
Video Compression		H.264 Main Profile;MJPEG/JPEG Baseline
Resolution	Master Streaming	1280*960,1-16.7(20)fps; 1280*720,1-25(30)fps
	Second Streaming	640*480,1-25fps/sec;320*240,1-25fps/sec;160*112,1-25fps/sec
Video Bitrate		32Kbps~16Mbps,Sup orts CBR/VBR
Information Display		Dome title,Preset title,Auto scanning title,Area scanning title,zoom,PTZ ,Alarm information,Date/Time
Audio Compression		G.711, G.726,support 32 K stereo
Data transmission and storage		
Data storage	Video a d Image	
Recording	Manual	
Alarm Output	FTP,E-mail, Explorer, Software	
Network protocol	TCP/IP、UDP、RTP、RTSP、RTCP、HTTP、DNS、DDNS、DHCP、FTP、NTP、PPPOE、SMTP、UPNP	
ONVIF protocol	Support	

Remote View	Computer	IE 6.0 or up, max 10 user
	Mobile Phone	Support Windows Mobile、Symbian、iPhone、Android platform
Speical Parameters		
Infrared auto-dimming technology		Support
Autotracking technology		Support
Graphical menu		Support
Hanging fast installation		Support
General Parameters		
OSD		Support
Protection grade		IP66
Mechanical properties	Horizontal range	360°
	Horizontal speed	0.01°~350°/S
	Vertical range	-5~90°( Auto flip)
	Vertical speed	0.01°~120°/S
	Preset point	256
	Patrol	8 Patrols, each patrol up to 32 presets
	Auto scanning	8
	Pattern	4 Patterns,500 commands(about 30 minute)/pattern
	Privacy zone	8 area
Material		All Aluminum crust and sphere
Operating Temperature		-35°C~+55°C
Operating Humidity		0% - 90%
Power		DC12V±10%
Power Consumption		50W
Dimension		Φ228 *290mm
Weight		3.9KG

Appearance Drawing:



Unit: mm