

Model:NR 8061-IPC50 Series**NETRA 5.0 Megapixels Indoor Box Network Camera****Features**

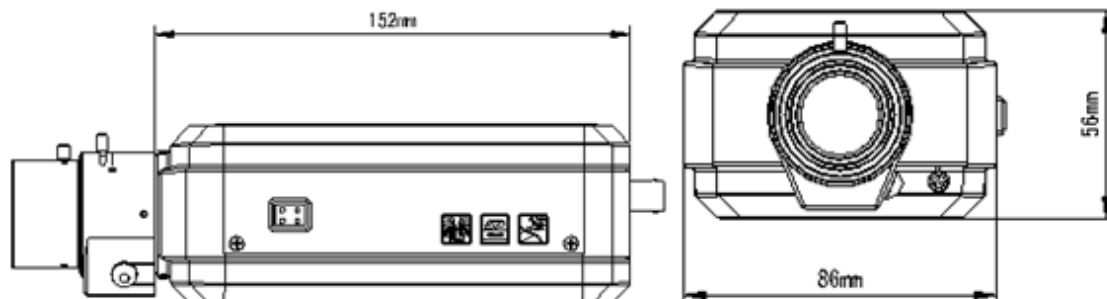
- 1/2.5" 5.0 Megapixels Progressive Scan Aptina CMOS
- H.264 High Profile & MJPEG dual-stream encoding
- Max 12fps@2592x1944, and 20fps@2048x1536, 25/30fps@1080P (1920x1080)
- Digital WDR (>100db), 2D, 3D noise reduction, AWB, AGC, BLC
- Multiple network monitoring: Web viewer, CMS, Smart phone.
- Support Day/Night
- Micro SD Card Slot (max 64GB),

Specification

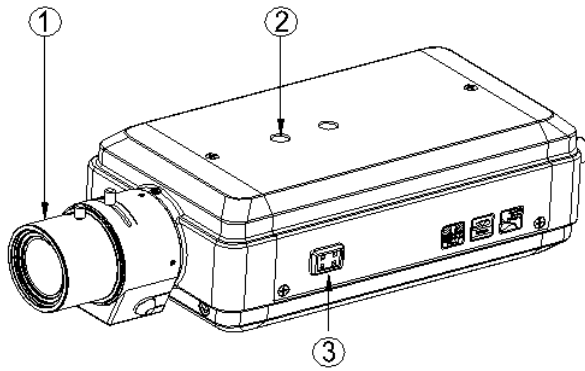
Model	ICR	POE	A/V	Lens
NR-8061-IPC50	No	No	No	No
NR-8061-IPC50-AV	No	No	Yes	No
NR-8061-IPC50-ICR	Yes	No	No	No
NR-8061-IPC50-ICR-AV	Yes	No	Yes	No
NR-8061-IPC50-POE	No	Yes	No	No
NR-8061-IPC50-POE-AV	No	Yes	Yes	No
NR-8061-IPC50-POE-ICR	Yes	Yes	No	No
NR-8061-IPC50-POE-ICR-AV	Yes	Yes	Yes	No
Camera				
Image Sensor	1/2.5" 5 megapixels Progressive Scan Aptina CMOS			
CPU	HI3516			
Effective Pixels	2592x1944			
Scanning System	Progressive			
Sensitivity	Color: 1 Lux , B/W: 0.1 Lux			
Video Output D1	("-AV" only) 1 Channel BNC (1.0Vp-p,75Ω)			
Camera Features				
Day/Night	Color / B/W			
Backlight Compensation	BLC / HLC / WDR (digital)			
White Balance	Auto			
Gain Control	Auto			
Noise Reduction	2D, 3D			

Model:NR 8061-IPC50 Series

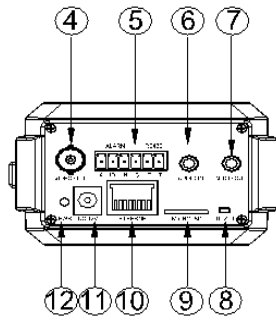
Privacy Masking	Up to 4 Areas		
Lens			
Lens Type	C/CS		
Video			
Compression	H.264 High Profile, Main Profile, Baseline / MJPEG		
Resolution	2592x1944, 2048x1536,1920x1080; 640x352, 320x240		
Frame Rate	Preferred Stream	2592x1944 (1~12fps), (1~20fps),1920x1080(1~25/30fps),	2048x1536
	Alternate Stream	640x352, 320x240 (1~25/30fps)	
Bit Rate	32KB ~16Mbps, support VBR, CBR		
Audio ("-AV" only)			
Compression	G.711a / G.711U, G.726		
Interface	1 channel Input, 1 channel Output		
Network			
Ethernet	RJ-45 (10/100Base-T)		
Protocol	IPv4/IPv6, HTTP, TCP/IP, UDP, RTP, RTCP, UPNP, RTSP, SMTP, NTP, DHCP, DNS, PPPOE, DDNS, FTP,		
ONVIF	ONVIF Ver. 2.0		
Max. User Access	10 users		
Smart Phone	iPhone, iPad, Android, Symbian		
Auxiliary Interface			
Memory Slot	Micro SD, Max 64GB		
Alarm ("-AV" only)	1channel Input, 1 channel Output		
General			
Power Supply	DC12V,		
Power Consumption	≤3W		
Working Environment	-20 °C ~ 60°C		
Dimensions	152mm ×86mm ×56mm		
Weight	0.7KG		

Dimensions (mm)**Interfaces:**

Model:NR 8061-IPC50 Series



- ① Lens
- ② Install screw holes
- ③ DC Iris



- ④ VIDEO OUT
- ⑤ I/O INTERFACE
- ⑥ AUDIO IN
- ⑦ AUDIO OUT
- ⑧ RESET
- ⑨ MICRO SD
- ⑩ RJ45
- ⑪ DC12V IN
- ⑫ POWER LED

I/O interface definition:

1	1A: ALARM Output	4	G: ALARM Input GND
2	1B: ALARM Output	5	T-: RS485 control output +
3	IN: ALARM Input	6	T+: RS485 control output -