



**Model: NR-8061-IPC21**

---

1080P 2.1Megapixels Indoor Box Network Camera



### **Features**

- 1/2.8" 2.1 Megapixels Supper Low Light Progressive Scan Sony CMOS
- H.264 High Profile & MJPEG dual-stream encoding
- Max 25/30fps@1080P (1920x1080)
- Digital WDR (>100db), 2D, 3D noise reduction, AWB, AGC, BLC
- Multiple network monitoring: Web viewer, CMS, Smart phone.
- Suport IR-CUT, to switch Day/Night by video detection and time.
- Micro SD Card Slot (max 64GB),
- POE optional
- Support BNC Video Output (A/V)

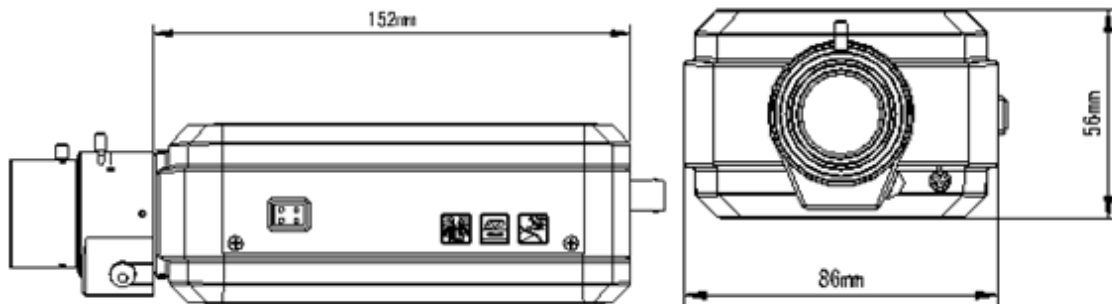
**Model: NR-8061-IPC21****Specification**

Model	ICR	POE	Wi-Fi	A/V	Lens
<b>NR-8061-IPC21</b>	No	No	No	No	No
<b>NR-8061-IPC21-AV</b>	No	No	No	Yes	No
<b>NR-8061-IPC21-ICR</b>	Yes	No	No	No	No
<b>NR-8061-IPC21-ICR-AV</b>	Yes	No	No	Yes	No
<b>NR-8061-IPC21-POE</b>	No	Yes	No	No	No
<b>NR-8061-IPC21-POE-AV</b>	No	Yes	No	Yes	No
<b>NR-8061-IPC21-POE-ICR</b>	Yes	Yes	No	No	No
<b>NR-8061-IPC21-POE-ICR-AV</b>	Yes	Yes	No	Yes	No
<b>Camera</b>					
Image Sensor	1/2.8" 2.1 megapixels Progressive Scan Sony CMOS				
CPU	HI3516				
Effective Pixels	1920x1080				
Scanning System	Progressive				
Electronics Shutter Speed	Auto (1/25,1/30 ~ 1/10000s)				
Min. Illumination	0.05Lux/F1.2 (Color), 0.005Lux/F1.2(B/W);				
S/N Ratio	>50dB				
Video Output	("-AV" only) 1 Channel BNC (1.0Vp-p,75Ω)				
<b>Camera Features</b>					
Day/Night	Auto (ICR) / Color / B/W				
Backlight Compensation	BLC / HLC / WDR (digital)				
White Balance	Auto				
Gain Control	Auto				
Noise Reduction	2D, 3D				
Privacy Masking	Up to 4 Areas				
<b>Lens</b>					
Lens Type	C/CS				
<b>Video</b>					
Compression	H.264 High Profile, Main Profile, Baseline / MJPEG				
Resolution	1920x1080, 1280x720 ; 960x528, 640x352, 480x256				
Frame Rate	Preferred Stream	1920x1080(1~25/30fps), 1280x720 (1~25/30fps)			
	Alternate Stream	960x528, 640x352, 480x256 (1~25/30fps)			
Bit Rate	32KB ~16Mbps, support VBR, CBR				
<b>Audio ("AV" only)</b>					
Compression	G.711a / G.711U, G.726				
Interface	1 channel Input, 1 channel Output				
<b>Network</b>					
Ethernet	RJ-45 (10/100Base-T)				
Protocol	IPv4/IPv6, HTTP, TCP/IP, UDP, RTP, RTCP, UPNP, RTSP, SMTP, NTP, DHCP, DNS, PPPOE, DDNS, FTP,				
ONVIF	ONVIF Ver. 2.0				
Max. User Access	10 users				
Smart Phone	iPhone, iPad, Android, Symbian				
<b>Auxiliary Interface</b>					

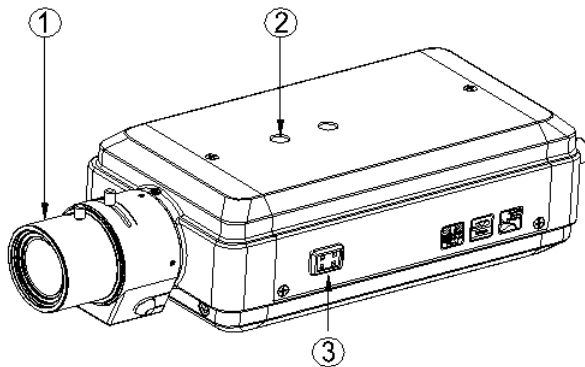
**Model: NR-8061-IPC21**

Memory Slot	Micro SD, Max 64GB
Alarm ("-AV" only)	1channel Input, 1 channel Output
<b>General</b>	
Power Supply	DC12V, / [POE (802.3af) "- POE" only]
Power Consumption	≤3W
Working Environment	-20 °C ~ 60°C
Dimensions	152mm ×86mm ×56mm
Weight	0.7KG

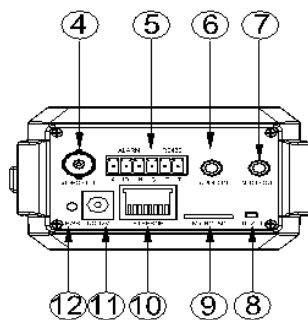
**Dimensions (mm)**



**Interfaces:**



- ① Lens
- ② Install screw holes
- ③ DC Iris



- ④ VIDEO OUT
- ⑤ I/O INTERFACE
- ⑥ AUDIO IN
- ⑦ AUDIO OUT
- ⑧ RESET
- ⑨ MICRO SD
- ⑩ RJ45
- ⑪ DC12V IN
- ⑫ POWER LED

**I/O interface definition:**

1	1A: ALARM Output	4	G: ALARM Input GND
2	1B: ALARM Output	5	T-: RS485 control output +
3	IN: ALARM Input	6	T+: RS485 control output -