

1.4Megapixels Indoor Box Network Camera



Features

- 1/3" 1.4 Megapixels super low light Progressive Scan Sony CMOS
- H.264 Main profile & MJPEG dual-stream encoding
- Max 25/30fps@1.0Megapixels (1280x720)
- Digital WDR (>100db), 2D, 3D noise reduction, AWB, AGC, BLC
- Multiple network monitoring: Web viewer, CMS, Smart phone
- Support IR-CUT, to switch Day/Night by video detection and time.
- Support defogging,
- Support image rotation 90° or 270°
- Micro SD Card Slot (max 64GB),
- POE optional
- Support BNC Video Output (A/V)

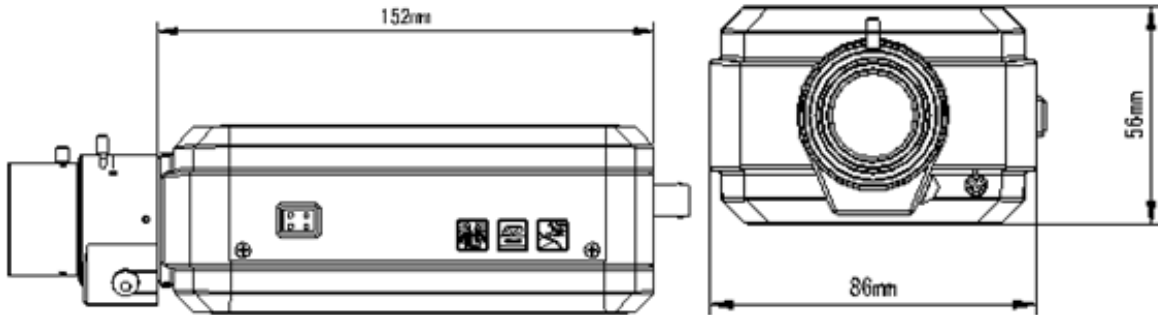
Model: NR-8061-IPC14**Specification**

Model	ICR	POE	A/V	Lens
NR-8061-IPC14	No	No	No	No
NR-8061-IPC14-AV	No	No	Yes	No
NR-8061-IPC14-ICR	Yes	No	No	No
NR-8061-IPC14-ICR-AV	Yes	No	Yes	No
NR-8061-IPC14-POE	No	Yes	No	No
NR-8061-IPC14-POE-AV	No	Yes	Yes	No
NR-8061-IPC14-POE-ICR	Yes	Yes	No	No
NR-8061-IPC14-POE-ICR-AV	Yes	Yes	Yes	No
Camera				
Image Sensor	1/3" 1.4 megapixels Progressive Scan Sony CMOS			
Effective Pixels	1280x1024			
Scanning System	Progressive			
Electronics Shutter Speed	Auto (1/25,1/30 ~ 1/10000s)			
Min. Illumination	0.01Lux/F1.2 (Color), 0.001Lux/F1.2(B/W);			
S/N Ratio	>50dB			
Video Output	("-AV" only) 1 Channel BNC (1.0Vp-p,75Ω)			
Camera Features				
Day/Night	Auto (ICR) / Color / B/W			
Backlight Compensation	BLC / HLC / WDR (digital)			
White Balance	Auto			
Gain Control	Auto			
Noise Reduction	2D, 3D			
Privacy Masking	Up to 4 Areas			
Lens				
Lens Type	C/CS			
Video				
Compression	H.264 Main Profile, Baseline / MJPEG			
Resolution	1280x1024, 1280x720; 720x576,640x480,320x240			
Frame Rate	Preferred Stream	1280x1024 (1~25/30fps), 1280x720 (1~25/30fps)		
	Alternate Stream	720x576, 640x480, 320x240 (1~25/30fps)		
Bit Rate	32KB ~16Mbps, support VBR, CBR			
Audio ("AV" only)				
Compression	G.711a / G.711U, G.726			
Interface	1 channel Input, 1 channel Output			
Network				
Ethernet	RJ-45 (10/100Base-T)			
Protocol	IPv4/IPv6, HTTP, TCP/IP, UDP, RTP, RTCP, UPNP, RTSP, SMTP, NTP, DHCP, DNS, PPPOE, DDNS, FTP,			
ONVIF	ONVIF Ver. 2.0			
Max. User Access	10 users			
Smart Phone	iPhone, iPad, Android, Symbian			
Auxiliary Interface				
Memory Slot	Micro SD, Max 64GB			

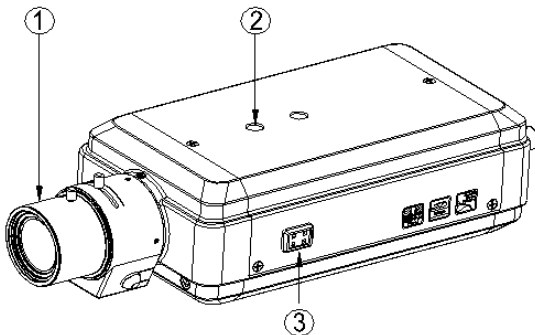
Model: NR-8061-IPC14

Alarm ("-AV" only)	1channel Input, 1 channel Output
General	
Power Supply	DC12V, / [POE (802.3af) "- POE" only]
Power Consumption	≤3W
Working Environment	-20 °C ~ 60°C
Dimensions	152mm ×86mm ×56mm
Weight	0.7KG

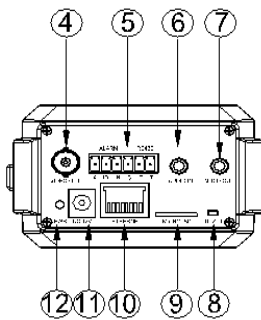
Dimensions (mm)



Interfaces:



- ① Lens
- ② Install screw holes
- ③ DC Iris



- ④ VIDEO OUT
- ⑤ I/O INTERFACE
- ⑥ AUDIO IN
- ⑦ AUDIO OUT
- ⑧ RESET
- ⑨ MICRO SD
- ⑩ RJ45
- ⑪ DC12V IN
- ⑫ POWER LED

I/O interface definition:

1	1A: ALARM Output	4	G: ALARM Input GND
2	1B: ALARM Output	5	T-: RS485 control output +
3	IN: ALARM Input	6	T+: RS485 control output -