

1.4Megapixels Vandal proof Mini Dome Network Camera



Features

- 1/3" 1.4Megapixels Progressive Scan Sony CMOS
- H.264 & MJPEG dual-stream encoding
- Max 25/30fps@1.4Megapixels (1280x1024, 1280x720)
- WDR, Day/Night, AWB, AGC, BLC
- Multiple network monitoring: Web viewer, CMS, Smart phone.
- Fixed lens 2.6mm, 4.2mm are optional
- Manual Pan rotation 90°, Manual Tilt rotation 90°
- Support defogging
- Support image rotation 90° or 270°
- POE optional
- Micro SD Card Slot
- BNC Video Output (for installation)

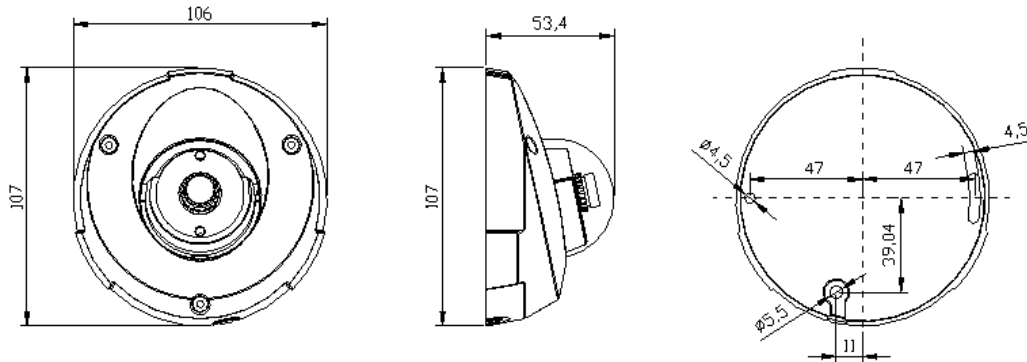
Specification

Model	IP66	POE	LENS (2.6mm,4.2mm optional)
NR-8076-IPC14	Yes	No	Fixed Lens included,
NR-8076-IPC14-POE	Yes	Yes	Fixed Lens included,
Camera			
Image Sensor	1/4" 1.3megapixels Progressive Scan Sony CMOS		
Effective Pixels	1280x1024		
Scanning System	Progressive		
Electronics Shutter Speed	Auto (1/25,1/30 ~ 1/10000s)		
Min. Illumination	0.01Lux/F1.2 (Color), 0.001Lux/F1.2(B/W);		
S/N Ratio	>50dB		
Camera Features			
Day/Night	Color / B/W		
Backlight Compensation	BLC / HLC / WDR (digital)		
White Balance	Auto		
Gain Control	Auto		
Noise Reduction	2D, 3D		
Privacy Masking	Up to 4 Areas		
Lens			
Focal Length	2.6mm, 4.2mm optional		
Max Aperture	F1.4		
Focus Control	Manual		
Angle of View	97°~ 67°		
Lens Type	Fixed Iris		
Mount Type	Board-in Type		
Video			
Compression	H.264 Main Profile, Baseline / MJPEG		
Resolution	1280x1024, 1280x720 ; 640x320, 320x160, 160x112		
Frame Rate	Preferred Stream	1280x1024 (1~25/30fps), 1280x720 (1~25/30fps)	
	Alternate Stream	640x320, 320x160, 160x112 (1~25/30fps)	
Bit Rate	32KB ~16Mbps, support VBR, CBR		
Network			
Ethernet	RJ-45 (10/100Base-T)		
Protocol	IPv4/IPv6, HTTP, TCP/IP, UDP, RTP, RTCP, UPNP, RTSP, SMTP, NTP, DHCP, DNS, PPPOE, DDNS, FTP,		
ONVIF	ONVIF Ver. 2.0		
Max. User Access	10 users		
Smart Phone	iPhone, iPad, Android, Symbian		
Auxiliary Interface			
Memory Slot	Micro SD, Max 32GB		
General			
Power Supply	DC12V, POE (802.3af)		
Power Consumption	≤2W		

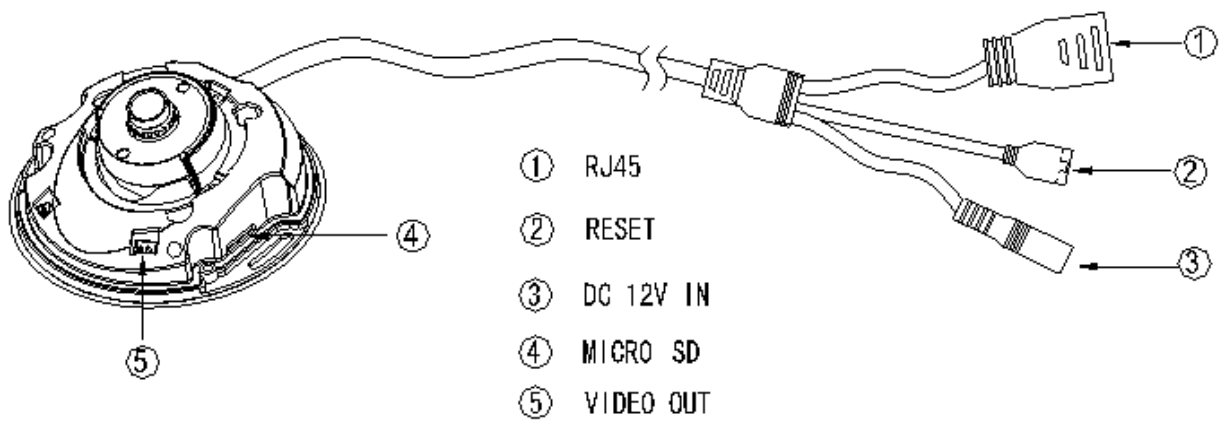
Model: NR-8076-IPC14 Series

Working Environment	-20 °C ~ 60°C
Dimensions	Φ107mm × 53.4mm
Weight	0.5KG

Dimensions (mm)



Interfaces :



Installation:

