

**Model: NR-8061-IPC10**

---

720P 1.0Megapixels Indoor Box IP Camera



### **Features**

- 1/4" 1.0Megapixels Progressive Scan OV CMOS
- H.264 Main profile & MJPEG dual-stream encoding
- Max 25/30fps@1.0Megapixels (1280x720)
- Digital WDR (>100db), 2D, 3D noise reduction, AWB, AGC, BLC
- Multiple network monitoring: Web viewer, CMS, Smart phone
- Support IR-CUT, to switch Day/Night by video detection and time.
- Support defogging,
- Support image rotation 90° or 270°
- Micro SD Card Slot (max 64GB),
- POE optional
- Support BNC Video Output (A/V)

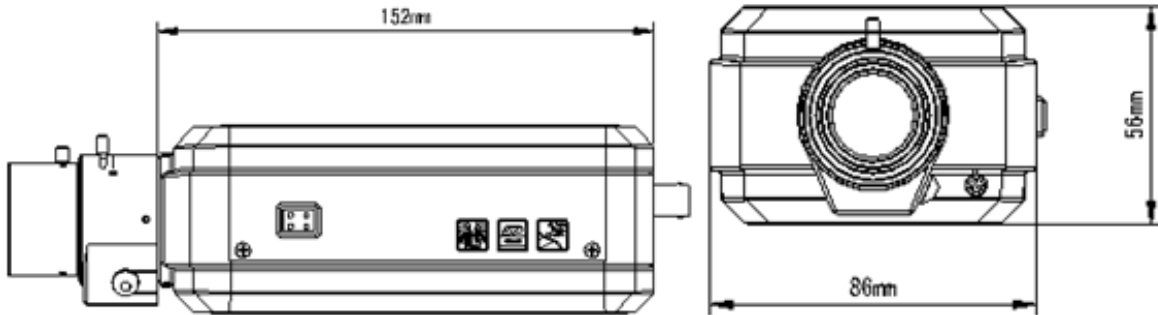
**Model: NR-8061-IPC10****Specification**

Model	ICR	POE	A/V	Lens
<b>NR-8061-IPC10</b>	No	No	No	No
<b>NR-8061-IPC10-AV</b>	No	No	Yes	No
<b>NR-8061-IPC10-ICR</b>	Yes	No	No	No
<b>NR-8061-IPC10-ICR-AV</b>	Yes	No	Yes	No
<b>NR-8061-IPC10-POE</b>	No	Yes	No	No
<b>NR-8061-IPC10-POE-AV</b>	No	Yes	Yes	No
<b>NR-8061-IPC10-POE-ICR</b>	Yes	Yes	No	No
<b>NR-8061-IPC10-POE-ICR-AV</b>	Yes	Yes	Yes	No
<b>Camera</b>				
Image Sensor	1/4" 1.0 megapixels Progressive Scan OV CMOS			
Effective Pixels	1280x720			
Scanning System	Progressive			
Electronics Shutter Speed	Auto (1/25,1/30 ~ 1/10000s)			
Min. Illumination	0.1Lux/F1.2 (Color), 0.05Lux/F1.2(B/W);			
S/N Ratio	>50dB			
Video Output	("-AV" only) 1 Channel BNC (1.0Vp-p,75Ω)			
<b>Camera Features</b>				
Day/Night	Auto (ICR) / Color / B/W			
Backlight Compensation	BLC / HLC / WDR (digital)			
White Balance	Auto			
Gain Control	Auto			
Noise Reduction	2D, 3D			
Privacy Masking	Up to 4 Areas			
<b>Lens</b>				
Lens Type	C/CS			
<b>Video</b>				
Compression	H.264 Main Profile, Baseline / MJPEG			
Resolution	1280x720; 640x480, 320x240, 160x112			
Frame Rate	Preferred Stream	1280x720 (1~25/30fps)		
	Alternate Stream	640x480, 320x240, 160x112 (1~25/30fps)		
Bit Rate	32KB ~16Mbps, support VBR, CBR			
<b>Audio ("AV" only)</b>				
Compression	G.711a / G.711U, G.726			
Interface	1 channel Input, 1 channel Output			
<b>Network</b>				
Ethernet	RJ-45 (10/100Base-T)			
Protocol	IPv4/IPv6, HTTP, TCP/IP, UDP, RTP, RTCP, UPNP, RTSP, SMTP, NTP, DHCP, DNS, PPPOE, DDNS, FTP,			
ONVIF	ONVIF Ver. 2.0			
Max. User Access	10 users			
Smart Phone	iPhone, iPad, Android, Symbian			
<b>Auxiliary Interface</b>				
Memory Slot	Micro SD, Max 64GB			

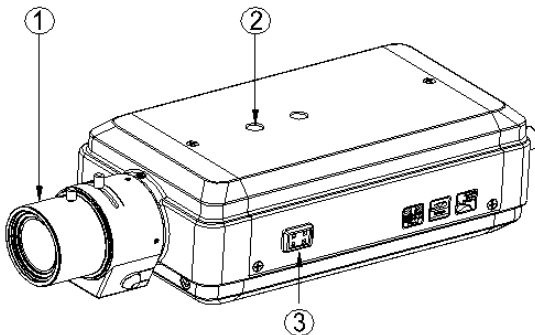
**Model: NR-8061-IPC10**

Alarm ("-AV" only)	1channel Input, 1 channel Output
<b>General</b>	
Power Supply	DC12V, / [POE (802.3af) "- POE" only]
Power Consumption	≤3W
Working Environment	-20 °C ~ 60°C
Dimensions	152mm ×86mm ×56mm
Weight	0.7KG

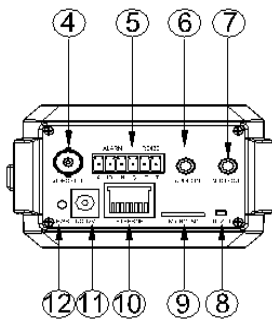
**Dimensions (mm)**



**Interfaces:**



- ① Lens
- ② Install screw holes
- ③ DC Iris



- ④ VIDEO OUT
- ⑤ I/O INTERFACE
- ⑥ AUDIO IN
- ⑦ AUDIO OUT
- ⑧ RESET
- ⑨ MICRO SD
- ⑩ RJ45
- ⑪ DC12V IN
- ⑫ POWER LED

**I/O interface definition:**

1	1A: ALARM Output	4	G: ALARM Input GND
2	1B: ALARM Output	5	T-: RS485 control output +
3	IN: ALARM Input	6	T+: RS485 control output -