

720P 1.0Megapixels IR-Bullet Network Camera



Features

- 1/4" 1.0Megapixels Progressive Scan OV CMOS
- H.264 & MJPEG dual-stream encoding
- Max 25/30fps@1.0Megapixels (1280x720)
- Digital WDR (>100db), 2D, 3D noise reduction, AWB, AGC, BLC
- Multiple network monitoring: Web viewer, CMS, Smart phone
- Support IR-CUT; To switch Day/Night by video detection or time or IR detection.
- 2.8-12mm varifocal lens or fixed lens 4mm, 6mm, 8mm, 12mm and 16mm are optional
- Max. IR LEDs Length 20-30m
- IP66, POE
- Support defogging,
- Support image rotation 90° or 270°
- Micro SD Card Slot (max 64GB),
- POE optional

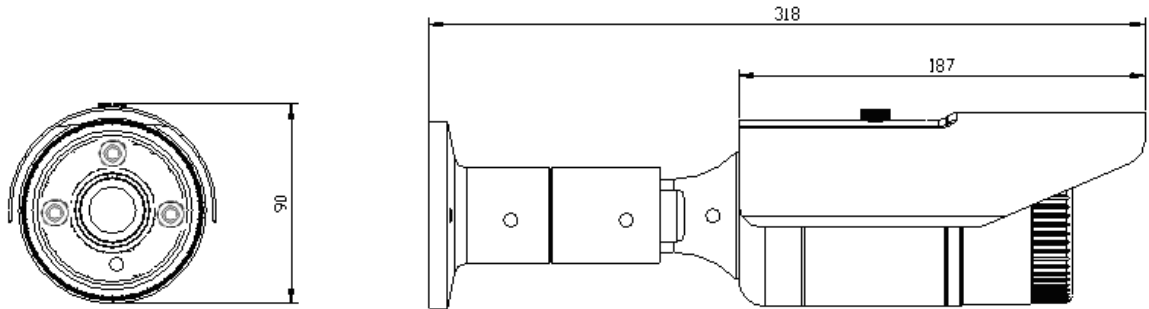
Specification

Model	IR	IP66	POE	LENS (4, 6, 8, 12, 16mm and 2.8-12mm)
NR-8066-IPC10	Yes	Yes	No	Fixed Lens included, 2.8-12mm optional
NR-8066-IPC10-POE	Yes	Yes	Yes	Fixed Lens included, 2.8-12mm optional
Camera				
Image Sensor	1/4" 1.0megapixels Progressive Scan OV CMOS			
Effective Pixels	1280x720			
Scanning System	Progressive			
Electronics Shutter Speed	Auto (1/25,1/30 ~ 1/10000s)			
Min. Illumination	0.1Lux/F1.2 (Color), 0.05Lux/F1.2(B/W); 0Lux/F1.2 (IR on)			
S/N Ratio	>50dB			
Camera Features				
Max. IR LEDs Length	20-30m			
Day/Night	Auto (ICR) / Color / B/W			
Backlight Compensation	BLC / HLC / WDR (digital)			
White Balance	Auto			
Gain Control	Auto			
Noise Reduction	2D, 3D			
Privacy Masking	Up to 4 Areas			
Lens				
Focal Length	4mm,6mm, 8mm, 12mm, 16mm or 2.8-12mm optional			
Max Aperture	F1.4			
Focus Control	Manual			
Angle of View	92°~ 20°			
Lens Type	Manual Iris			
Mount Type	Board-in Type			
Video				
Compression	H.264 Main Profile, Baseline / MJPEG			
Resolution	1280x720 ; 640x480, 320x240, 160x112			
Frame Rate	Preferred Stream	1280x720 (1~25/30fps)		
	Alternate Stream	640x480, 320x240, 160x112 (1~25/30fps)		
Bit Rate	32KB ~16Mbps, support VBR, CBR			
Network				
Ethernet	RJ-45 (10/100Base-T)			
Protocol	IPv4/IPv6, HTTP, TCP/IP, UDP, RTP, RTCP, UPNP, RTSP, SMTP, NTP, DHCP, DNS, PPPOE, DDNS, FTP,			
ONVIF	ONVIF Ver. 2.0			
Max. User Access	10 users			
Smart Phone	iPhone, iPad, Android, Symbian			
General				
Power Supply	DC12V, POE (802.3af)			
Power Consumption	≤6W			

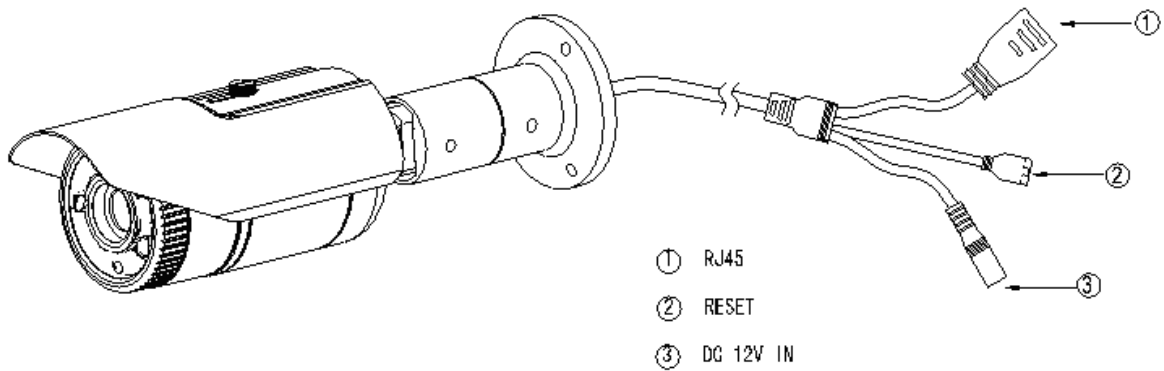
Model: NR-8066-IPC10

Working Environment	-20 °C~ 60°C
Ingress Protection	IP66,
Dimensions	318mm ×110mm ×90mm
Weight	0.7KG

Dimensions (mm)



Interfaces :



Installation:

