

1080P 2.1Megapixels Small IR-Bullet Network Camera



Features

- 1/2.8" 2.1 Megapixels Supper Low Light Progressive Scan Sony CMOS
- H.264 High Profile & MJPEG dual-stream encoding
- Max 25/30fps@1080P (1920x1080)
- Digital WDR (>100db), 2D, 3D noise reduction, AWB, AGC, BLC
- Multiple network monitoring: Web viewer, CMS, Smart phone.
- Fixed lens 2.8mm, 3.6mm are optional
- Max. IR LEDs Length 10-15m
- IP66, POE
- Micro SD Card Slot (max 64GB),
- POE optional

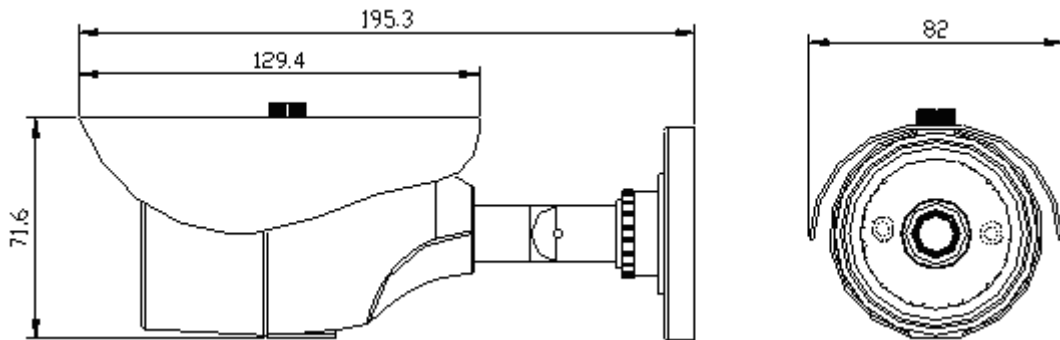
Specification

Model	IR	IP66	POE	LENS (2.8mm, 3.6mm, 6mm)
NR-8068-IPC21F	Yes	Yes	No	Fixed Lens included, 2.8, 3.6 mm optional
NR-8068-IPC21F-POE	Yes	Yes	Yes	Fixed Lens included, 2.8, 3.6mm optional
Camera				
Image Sensor	1/2.8" 2.1megapixels Progressive Exmor CMOS			
CPU	Hi3516C			
Effective Pixels	1920x1080			
Scanning System	Progressive			
Electronics Shutter Speed	Auto (1/25,1/30 ~ 1/10000s)			
Min. Illumination	0.05Lux/F1.2(Color), 0.005Lux/F1.2(B/W); 0Lux/F1.2 (IR on)			
S/N Ratio	>50dB			
Camera Features				
Max. IR LEDs Length	10-15m			
Day/Night	Auto (ICR) / Color / B/W			
Backlight Compensation	BLC / HLC / WDR (digital)			
White Balance	Auto			
Gain Control	Auto			
Noise Reduction	2D, 3D			
Privacy Masking	Up to 4 Areas			
Lens				
Focal Length	2.8mm, 3.6mm, 6mm optional			
Max Aperture	F1.4			
Focus Control	Manual			
Angle of View	92°~ 67°			
Lens Type	Fixed Iris			
Mount Type	Board-in Type			
Video				
Compression	H.264 Main Profile, Baseline / MJPEG			
Resolution	1920x1080, 1280x720 ; 960x528, 640x352, 480x256			
Frame Rate	Preferred Stream	1920x1080, 1280x720 (1~25/30fps)		
	Alternate Stream	960x528, 640x352, 480x256 (1~25/30fps)		
Bit Rate	32KB ~16Mbps, support VBR, CBR			
Network				
Ethernet	RJ-45 (10/100Base-T)			
Protocol	IPv4/IPv6, HTTP, TCP/IP, UDP, RTP, RTCP, UPNP, RTSP, SMTP, NTP, DHCP, DNS, PPPOE, DDNS, FTP,			
ONVIF	ONVIF Ver. 2.0			
Max. User Access	5 users			
Smart Phone	iPhone, iPad, Android, Symbian			
General				
Power Supply	DC12V, POE (802.3af)			

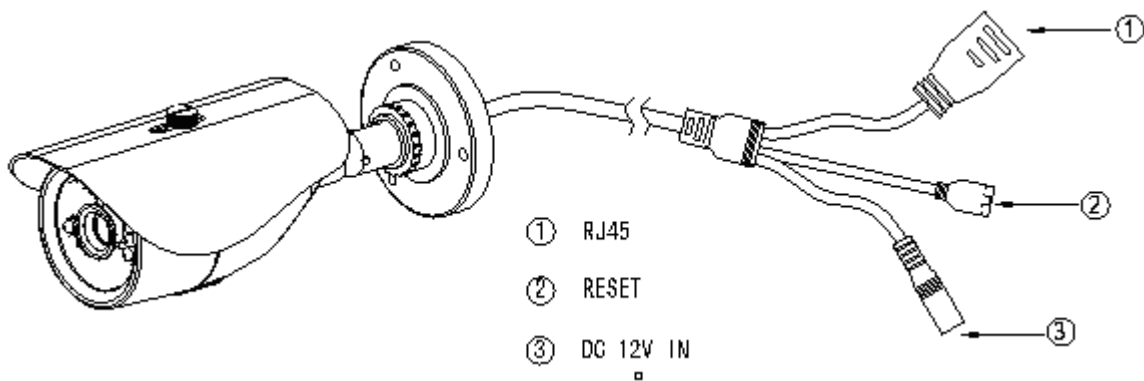
Model: NR-8068-IPC21F

Power Consumption	≤ 5.5W
Working Environment	-20 °C ~ 60°C
Ingress Protection	IP66,
Dimensions	195.3mm × 82mm × 71.6mm
Weight	0.5KG

Dimensions (mm)



Interfaces :



Installation

