

## 720P 1.0Megapixels Vandal proof Mini Dome Network Camera



### Features

- 1/4" 1.0Megapixels Progressive Scan OV CMOS
- H.264 & MJPEG dual-stream encoding
- Max 25/30fps@1.0Megapixels (1280x720)
- Digital WDR (>100db), 2D, 3D noise reduction, AWB, AGC, BLC
- Multiple network monitoring: Web viewer, CMS, Smart phone
- Switch Day/Night by video detection and time
- Fixed lens 2.8mm, 3.6mm are optional
- POE optional
- Support image rotation 90° or 270°
- Support defogging
- Micro SD Slot (Max 64GB)
- BNC Video Output (for installation)

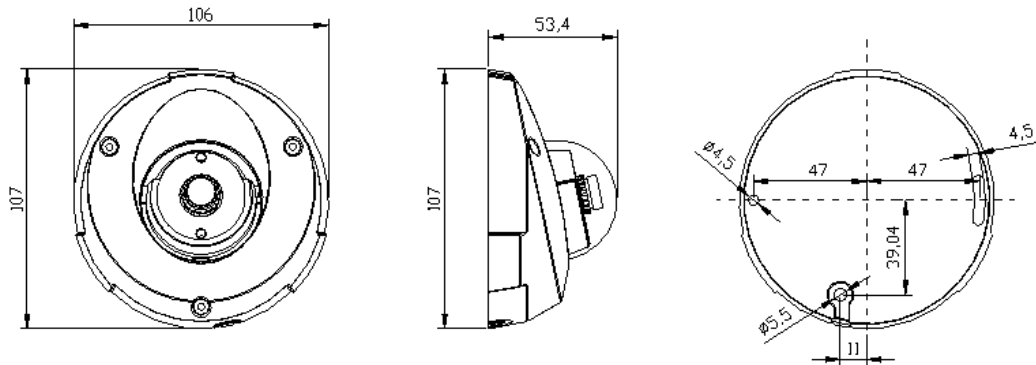
## Specification

Model	IP66	POE	LENS(2.6mm,4.2mm optional)
<b>NR-8076-IPC10</b>	Yes	No	Fixed Lens included,
<b>NR-8076-IPC10-POE</b>	Yes	Yes	Fixed Lens included,
<b>Camera</b>			
Image Sensor	1/4" 1.0megapixels Progressive OV CMOS		
Effective Pixels	1280x720		
Scanning System	Progressive		
Electronics Shutter Speed	Auto (1/25,1/30 ~ 1/10000s)		
Min. Illumination	0.1Lux/F1.2 (Color), 0.05Lux/F1.2(B/W);		
S/N Ratio	>50dB		
<b>Camera Features</b>			
Day/Night	Color / B/W		
Backlight Compensation	BLC / HLC / WDR (digital)		
White Balance	Auto		
Gain Control	Auto		
Noise Reduction	2D, 3D		
Privacy Masking	Up to 4 Areas		
<b>Lens</b>			
Focal Length	2.6mm, 4.2mm optional		
Max Aperture	F1.4		
Focus Control	Manual		
Angle of View	97°~ 67°		
Lens Type	Fixed Iris		
Mount Type	Board-in Type		
<b>Video</b>			
Compression	H.264 Main Profile, Baseline / MJPEG		
Resolution	1280x720 ; 640x480, 320x240, 160x112		
Frame Rate	Preferred Stream	1280x720 (1~25/30fps)	
	Alternate Stream	640x480, 320x240, 160x112 (1~25/30fps)	
Bit Rate	32KB ~16Mbps, support VBR, CBR		
<b>Network</b>			
Ethernet	RJ-45 (10/100Base-T)		
Protocol	IPv4/IPv6, HTTP, TCP/IP, UDP, RTP, RTCP, UPNP, RTSP, SMTP, NTP, DHCP, DNS, PPPOE, DDNS, FTP,		
ONVIF	ONVIF Ver. 2.0		
Max. User Access	10 users		
Smart Phone	iPhone, iPad, Android, Symbian		
<b>Auxiliary Interface</b>			
Memory Slot	Micro SD, Max 64GB		
<b>General</b>			
Power Supply	DC12V, POE (802.3af)		
Power Consumption	≤ 2W		
Working Environment	-20 °C ~ 60°C		

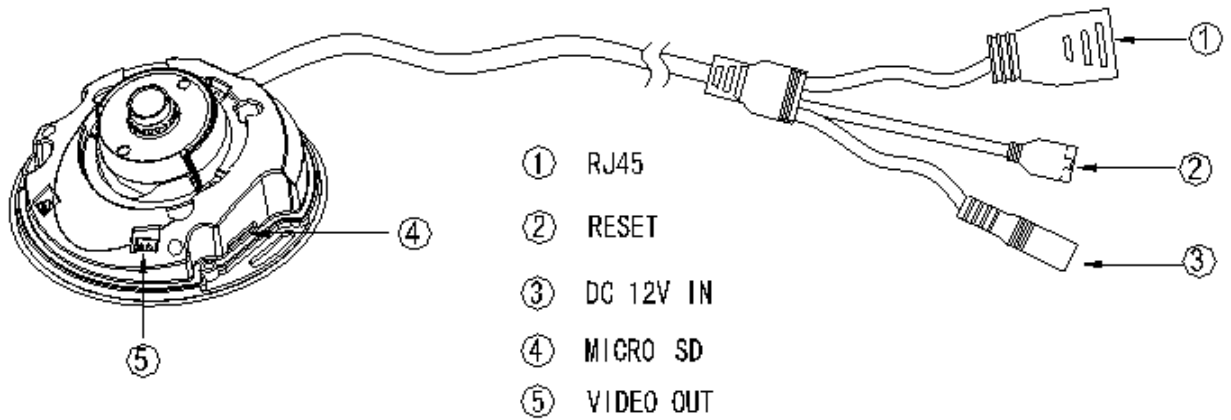
Model: NR-8076-IPC10

Dimensions	Φ107mm ×53.4mm
Weight	0.5KG

**Dimensions (mm)**



**Interfaces :**



**Installation:**

